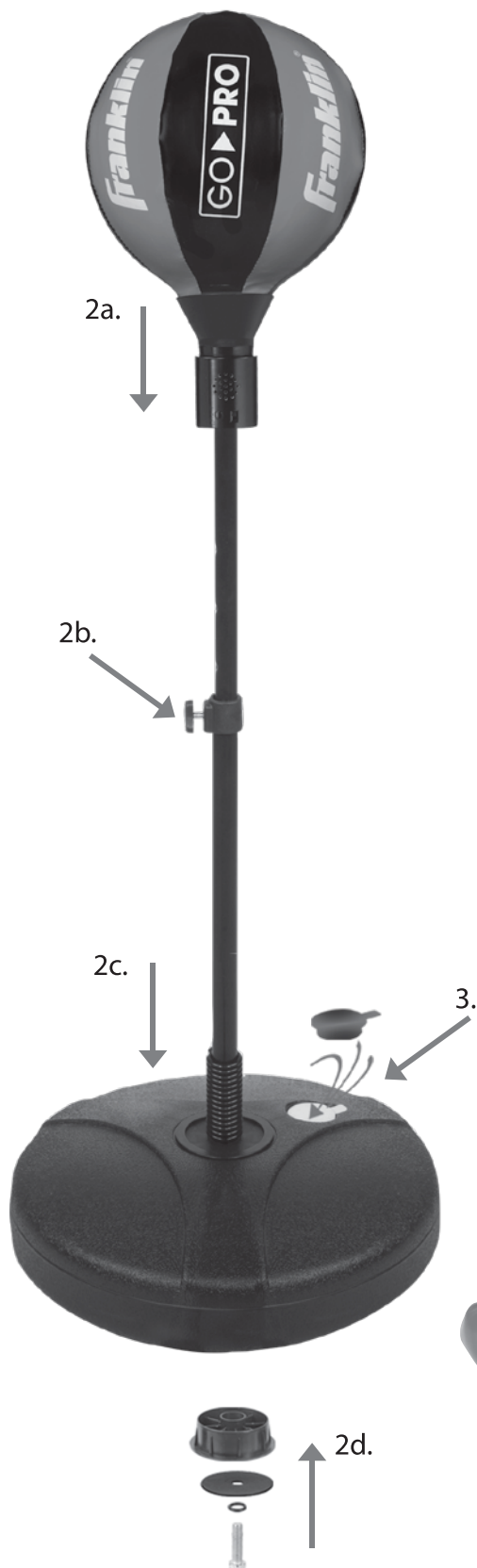


Deluxe Boxing Set

Item #14070SF1



1. Inflate the punching bag using the inflation pump and needle.
2. Assemble the boxing set by following the diagram shown.
 - a. Twist the punching bag into the top of the pole.
 - b. Screw the bolt to tighten at the desired height.
 - c. Slide the bottom pole through the ring and base insert and into the base.
 - d. The screw slides through the rings and base insert and twists into the bottom pole.
3. Fill the base with water or sand for added stability.
4. Unscrew the battery compartment and insert batteries.

Requires 3 "AAA" size batteries (not included).

Do not mix old and new batteries.

Do not mix alkaline, standard (carbon-zinc), or rechargeable (nickel-cadmium) batteries.
5. Turn the "ON/OFF" switch on the speaker to the "ON" position. Press the "START" button to activate sounds. The sounds will stop after 3 minutes. Turn the switch to the "OFF" position when finished playing to conserve battery life.



WARNING:
CHOKING HAZARD--Small parts.
Not for children under 3 yrs.

Made in China
Franklin Sports
Stoughton MA, 02072
www.franklinsports.com
For replacements parts call
1-781-341-5178 or 1-800-225-8649
OR visit www.franklinsports.com