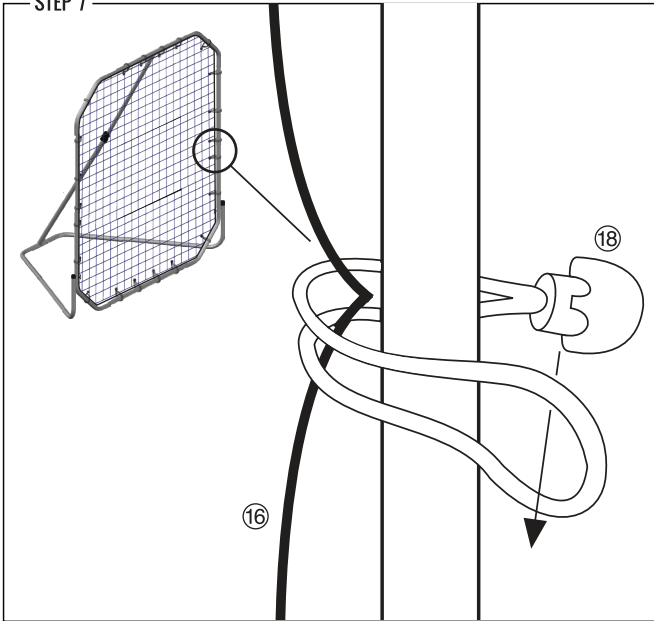
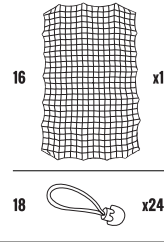


STEP 7



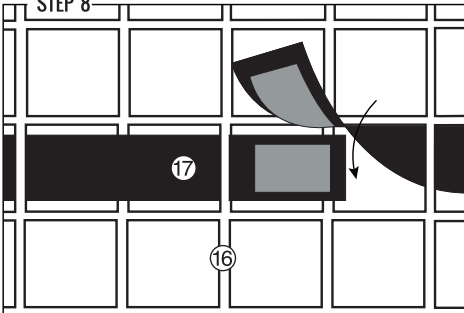
PARTS



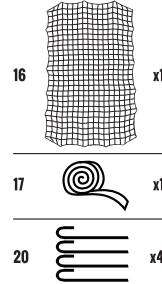
NOTE

To attach **Net** (#16) to frame, spread out net and find red tabs attached to net. The red tabs indicate the corners. To attach **Toothed Bungees** (#18) to net hold plastic ball in place and wrap free end around net and side tube. Loop the free bungee around the plastic ball.

STEP 8



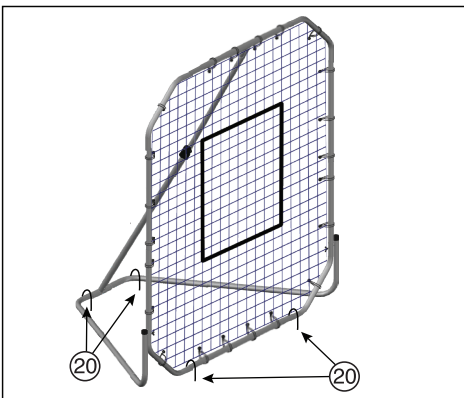
PARTS



NOTE

Attach the **Strike Zone Ribbon** (#17) by weaving through the **Net** (#16) and connecting the self stick patches at the end.

NOTE: use **Ground Stakes** (#20) for extra stability when needed.



WARNING:

Use extreme caution when assembling the net to the frame. The bungees will be under extreme tension and must be attached carefully. Adult assembly is strongly recommended.

Franklin Sports Inc.
Stoughton, MA 02072
www.franklinsports.com
Made In China



Major League Baseball trademarks and copyrights are used with permission of Major League Baseball. Visit MLB.com

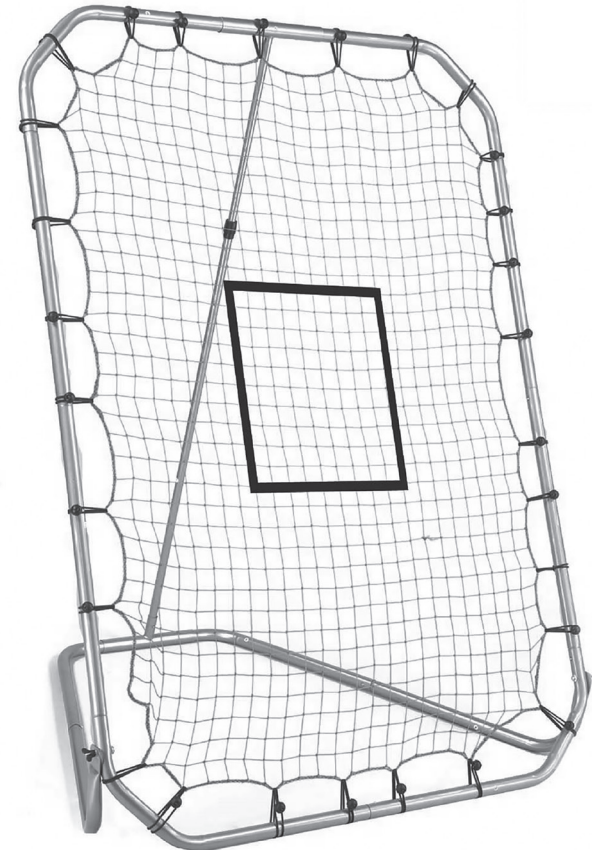
Franklin®



72in x 52in (183cm x 132cm)

INFINITE ANGLE RETURN

ITEM NUMBER: **1069X**



NOTE: PRINT FRONT TO BACK

Franklin®

CUSTOMER SERVICE COMMITMENT

Thank you for purchasing this Franklin® product! In the event that the product you've purchased has missing or damaged parts, please contact us at:

parts@franklinsports.com

or

Visit our website at: franklinsports.com/instructions

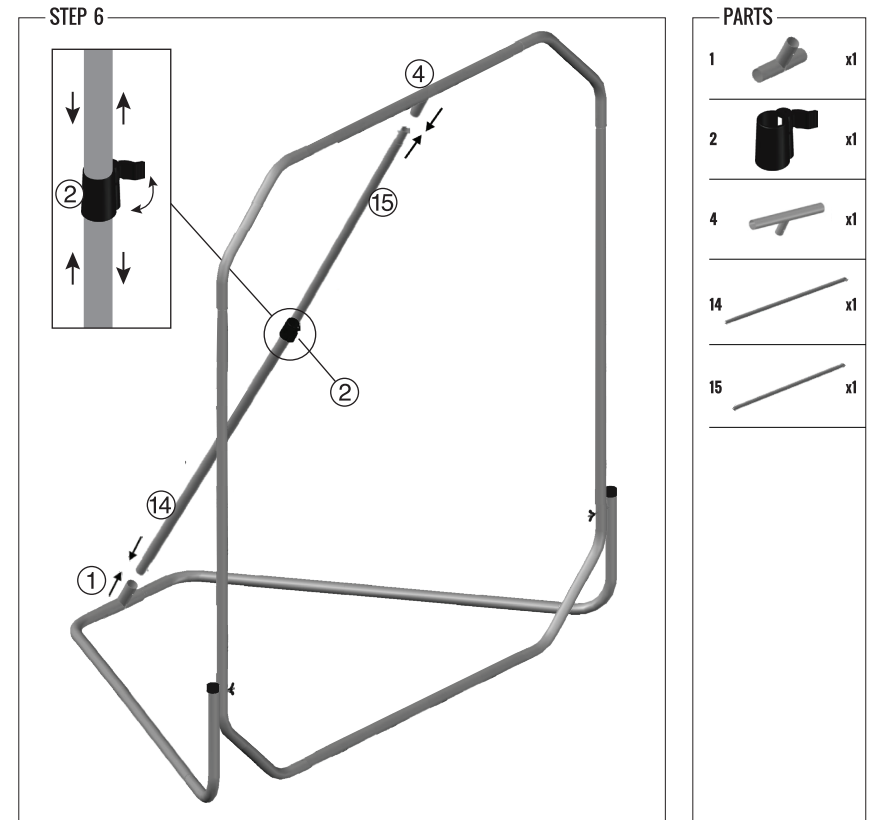
If possible, please include product part number and parts description so we can best assist you.

WE'RE HERE FOR YOU!

PLEASE DO NOT RETURN THIS PRODUCT TO THE STORE IT WAS PURCHASED FROM.

WE ARE COMMITTED TO FULFILLING ALL REPLACEMENT PART NEEDS IMMEDIATELY.

Thank you for your continued support, and welcome to the #FranklinFamily!



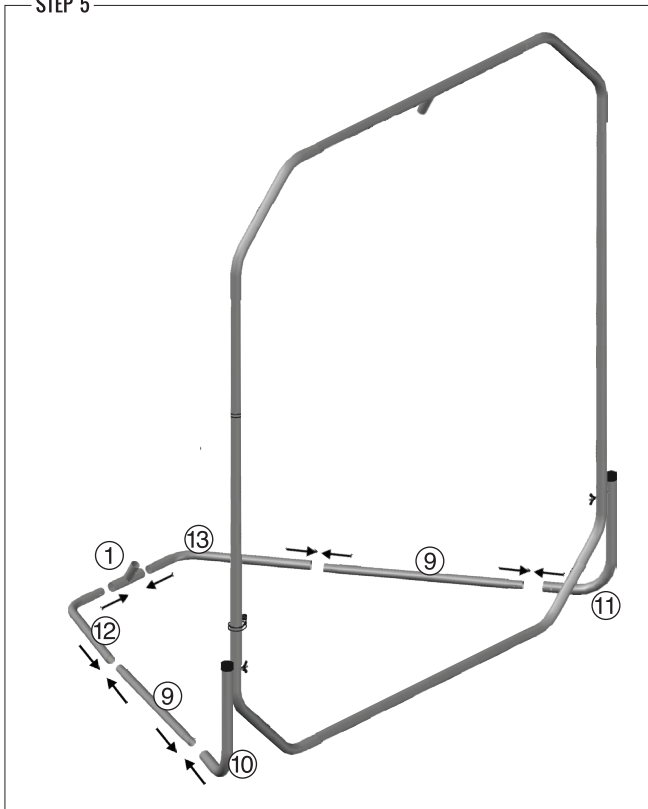
NOTE

Lastly, with **Bottom Back Adjustable Tube (#14)** attach to **Back T-joint (#1)** with push button. Using **Angle Adjuster (#2)** slide into **Bottom Back Adjustable Tube (#14)** and then slide **Top Back Adjustable Tube (#15)** into **Angle Adjuster (#2)**. Connect **Top Back Adjustable Tube (#15)** to **Top T-joint (#4)** at the top to complete full frame.

NOTE

To adjust angle, pull clamp on the **Angle Adjuster (#2)**, set to desired height and push clamp back into place.

STEP 5



PARTS

| | | |
|----|--|----|
| 1 | | x1 |
| 9 | | x2 |
| 10 | | x1 |
| 11 | | x1 |
| 12 | | x1 |
| 13 | | x1 |

NOTE

Take **Straight Tubes** (#9) and attach to **Left Back L-Tube** and **Right Back L-Tube** (#10 and #11). Then, using **Right Bottom Corner Tube** and **Left Bottom Corner Tube** (#12 and #13) attach to **Straight Tubes** (#9) on left and right side, respectively. Using **Back T-Joint** (#1) slide **Right Bottom Corner Tube** and **Left Bottom Corner Tube** (#12 and #13) into **Back T-Joint** (#1) and connect all pieces together with push button.

PARTS LIST

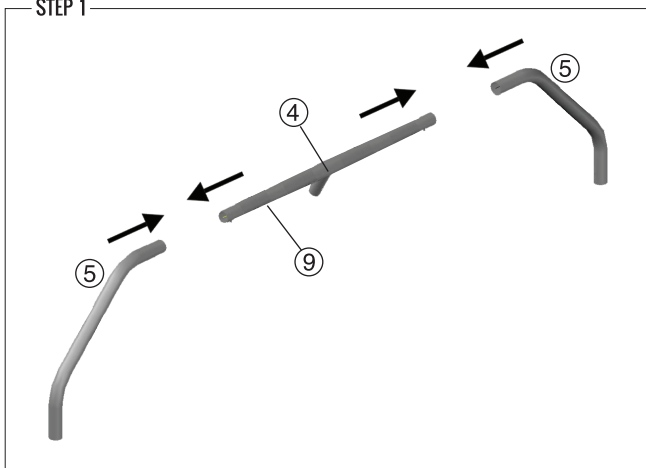
| | | | | | | | | | | | |
|-----------------------|--|--------|-----------------------------|--|---------|--------------------------|--|--------|------------------------|--|--------|
| 1 | | QTY x1 | 2 | | QTY x1 | 3 | | QTY x2 | 4 | | QTY x1 |
| Back T-Joint | | | Angle Adjuster | | | Tube Cap | | | Top T-Joint | | |
| Rep. Part: 1069Z8 | | | Rep. Part: 1069-R1 | | | Rep. Part: 1069-R2 | | | Rep. Part: 1069Z10 | | |
| 5 | | QTY x2 | 6 | | QTY x2 | 7 | | QTY x2 | 8 | | QTY x2 |
| Top Corner Tubes | | | Side Top Tubes | | | Side Bottom Tubes | | | Bottom Corner Tubes | | |
| Rep. Part: 1069Z2 | | | Rep. Part: 1069Z4 | | | Rep. Part: 1069Z5 | | | Rep. Part: 1069Z3 | | |
| 9 | | QTY x4 | 10 | | QTY x1 | 11 | | QTY x1 | 12 | | QTY x1 |
| Straight Tubes | | | Left Back L-Tube | | | Right Back L-Tube | | | Right Back Corner Tube | | |
| Rep. Part: 1069Z1 | | | Rep. Part: 1069-R3 | | | Rep. Part: 1069-R4 | | | Rep. Part: 1069-R5 | | |
| 13 | | QTY x1 | 14 | | QTY x1 | 15 | | QTY x1 | 16 | | QTY x1 |
| Left Back Corner Tube | | | Bottom Back Adjustable Tube | | | Top Back Adjustable Tube | | | Net | | |
| Rep. Part: 1069-R6 | | | Rep. Part: 1069-R8 | | | Rep. Part: 1069-R7 | | | Rep. Part: 1069Z13 | | |
| 17 | | QTY x1 | 18 | | QTY x24 | 19 | | QTY x2 | 20 | | QTY x4 |
| Strike Zone Ribbon | | | Toothed Bungees | | | XXL Bolt & Wing Nut Set | | | Ground Stakes | | |
| Rep. Part: 24804-R16 | | | Rep. Part: 24804-R23 | | | Rep. Part: 1069Z12 | | | Rep. Part: 24804-R18 | | |

ASSEMBLY INSTRUCTIONS




GENERAL NOTE

1. Find a clean, level place to begin the assembly of your Infinite Angle Return. We recommend that two adults work together to assemble this Infinite Angle Return.
2. Remove all components from the package and confirm all the parts are included. Please see Step 1 to begin assembly.

STEP 1



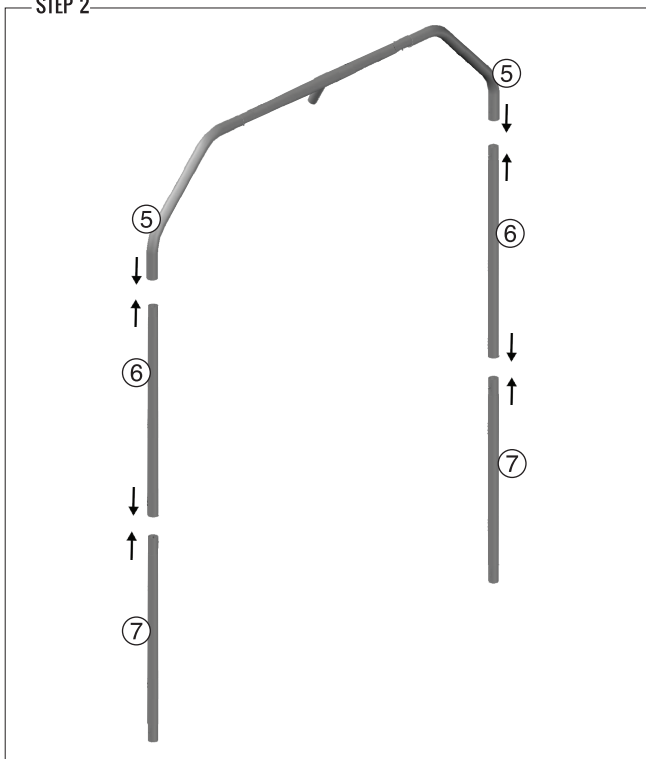
PARTS

- 4  x1
- 5  x2
- 9  x1




NOTE

To begin top of frame slide top T-joint (#4) through Straight Tube (#9) and take Top Corner Tubes (#5) and attach to Straight Tube (#9) on both sides.

STEP 2



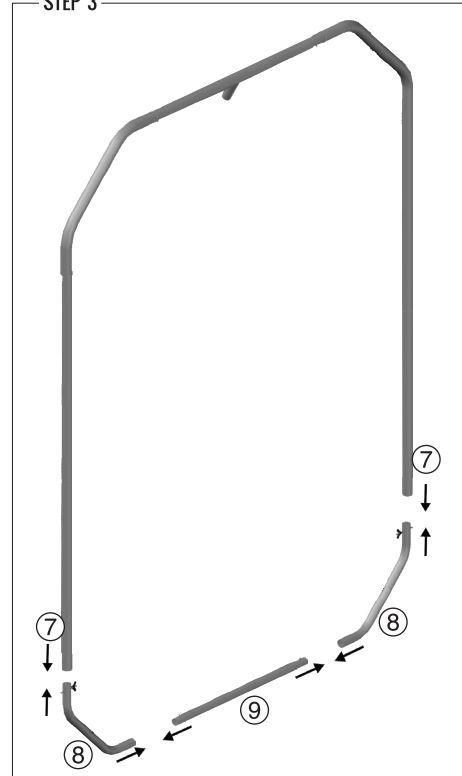
PARTS

- 5  x2
- 6  x2
- 7  x2


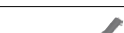

NOTE

Connect Side Top Tubes (#6) to Top Corner Tubes (#5), then connect Side Bottom Tubes (#7) to Side Top Tubes (#6).

STEP 3



PARTS

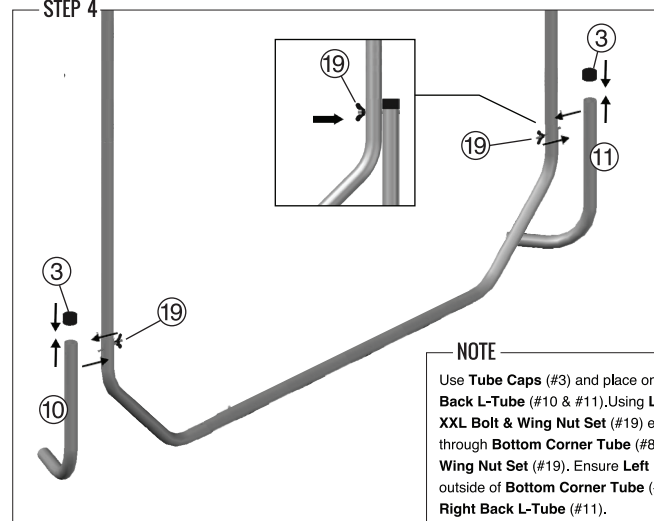
- 7  x2
- 8  x2
- 9  x1

NOTE





To complete front frame, connect Bottom Corner Tubes (#8) to Side Bottom Tubes (#7). Then using Straight Tube (#9) connect Left & Right Side Bottom Corner Tubes (#8).

NOTE:
When connecting part 8 to part 7, ensure the two-hole end on part 8 lines up with the two-hole end on part 7 to slide screw through in next step.

STEP 4



PARTS

- 3  x2
- 10  x1
- 11  x1
- 19  x2

NOTE

Use Tube Caps (#3) and place on Left Back L-Tube and Right Back L-Tube (#10 & #11). Using Left Back L-Tube (#10), slide XXL Bolt & Wing Nut Set (#19) entirely through pole then slide through Bottom Corner Tube (#8) and attach with XXL Bolt & Wing Nut Set (#19). Ensure Left Back L-Tube (#10) is on the outside of Bottom Corner Tube (#8). Repeat on right side with Right Back L-Tube (#11).