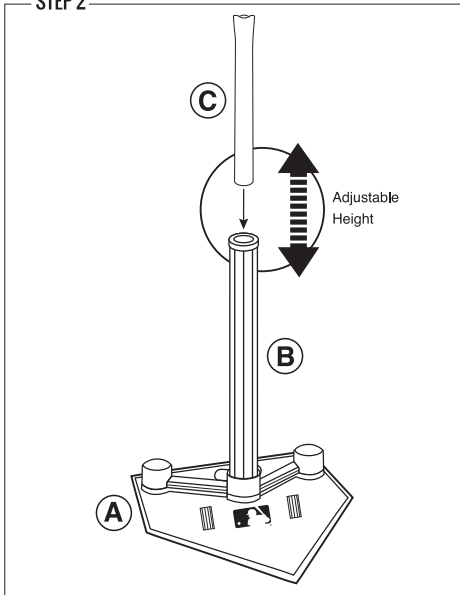


STEP 2



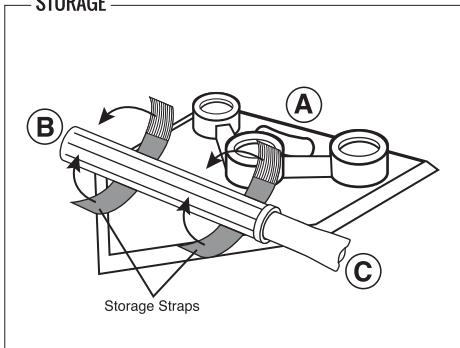
PARTS

A		x1
B		x1
C		x1

NOTE

Insert **Upper Tube (C)** into **Lower Tube (B)** and adjust to desired height.

STORAGE



PARTS

A		x1
B		x1
C		x1

NOTE

For easy transportation and storage, lower **Upper Tube (C)** into **Lower Tube (B)** and connect to **Base (A)** with storage straps (pre-installed) around **Lower Tube (B)**.

YOU ARE NOW READY TO PLAY!

Franklin Sports Inc.
Stoughton, MA 02072
www.franklinsports.com
Made In China



Major League Baseball trademarks and copyrights are used with permission of Major League Baseball Properties, Inc. Visit MLB.com.

Franklin[®]



3 POSITION

BATTING TEE

ITEM NUMBER: **1957**



NOTE: PRINT FRONT TO BACK



CUSTOMER SERVICE COMMITMENT

Thank you for purchasing this Franklin® product! In the event that the product you've purchased has missing or damaged parts, please contact us at:

parts@franklinsports.com

or

Visit our website at: **franklinsports.com/instructions**

If possible, please include product part number and parts description so we can best assist you.

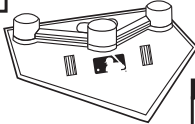

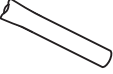
WE'RE HERE FOR YOU!

PLEASE DO NOT RETURN THIS PRODUCT TO THE STORE IT WAS PURCHASED FROM.

WE ARE COMMITTED TO FULFILLING ALL REPLACEMENT PART NEEDS IMMEDIATELY.

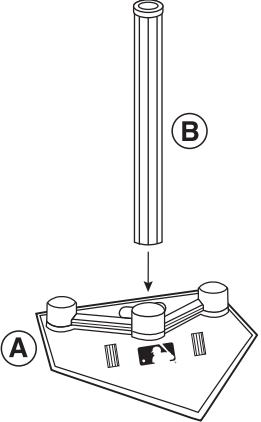
Thank you for your continued support, and welcome to the #FranklinFamily!

PARTS LIST



		
<p>Base Rep. Part: 1957-R1</p>	<p>Lower Tube Rep. Part: 1957-R2</p>	<p>Upper Tube Rep. Part: 2776-R3</p>

ASSEMBLY INSTRUCTIONS

STEP 1



PARTS

	x1
	x1

NOTE

Insert Lower Tube (B) into desired hole of Base (A).