

Franklin®



36 in x 36 in (91.4 cm x 91.4 cm)

MLB RETURN, TEE & BASE SET

ITEM NUMBER: **1993S1X**



⚠ WARNING:
Possible strangulation hazard. Do NOT use with other persons in direct play area. Product contains ball with elastic cord attached. Adult supervision recommended.

⚠ CAUTION:
Adult assembly required.

Made In China
Franklin Sports Inc.
Stoughton, MA 02072

Franklin®

Major League Baseball trademarks and copyrights are used with permission of Major League Baseball. Visit MLB.com.

NOTE: PRINT FRONT TO BACK, BOOKLET STYLE

Franklin®

CUSTOMER SERVICE COMMITMENT

Thank you for purchasing this Franklin® product! In the event that the product you've purchased has missing or damaged parts, please contact us at:

parts@franklinsports.com

or

Visit our website at: franklinsports.com/instructions

If possible, please include product part number and parts description so we can best assist you.

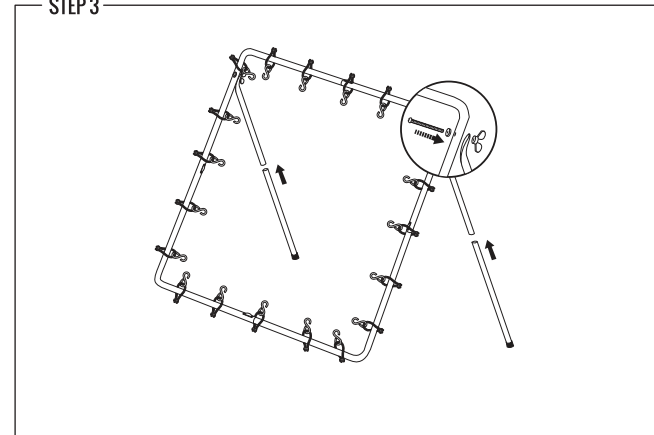
WE'RE HERE FOR YOU!

PLEASE DO NOT RETURN THIS PRODUCT TO THE STORE IT WAS PURCHASED FROM.

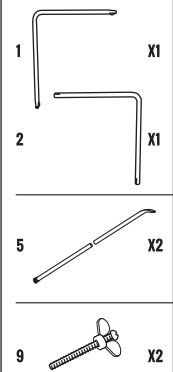
WE ARE COMMITTED TO FULFILLING ALL REPLACEMENT PART NEEDS IMMEDIATELY.

Thank you for your continued support, and welcome to the #FranklinFamily!

STEP 3



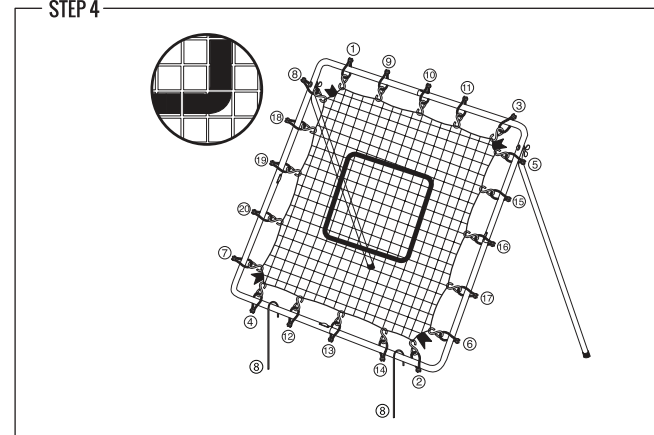
PARTS



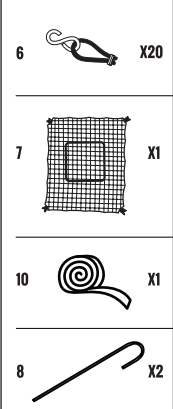
NOTE

Using **Leg Set**(#5), line up holes with **Elbow Tube A**(#1). With **XS Bolt & Wing Nut Set**(#9) slide screw through **Elbow Tube A**(#1) and **Leg Set**(#5), then tighten with wing nut. Repeat on other side with **Elbow Tube B**(#2).

STEP 4



PARTS



NOTE

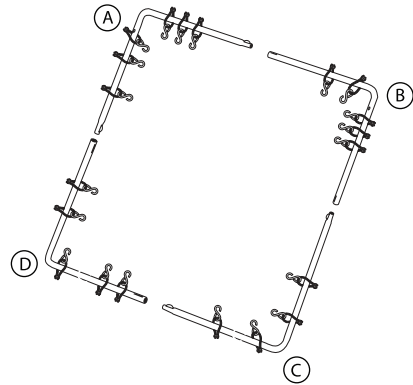
Attach **Net**(#7) to frame using **Bungee Cords**(#6), then attach **Target Ribbon**(#10) by weaving in and out.

Use **Ground Stakes** (#8) for extra stability when needed.

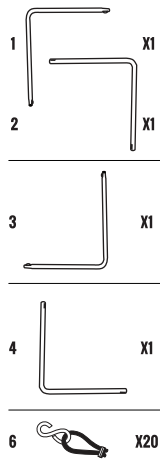
YOU ARE NOW READY TO PLAY!

ASSEMBLY INSTRUCTIONS - NET SET UP

STEP 1



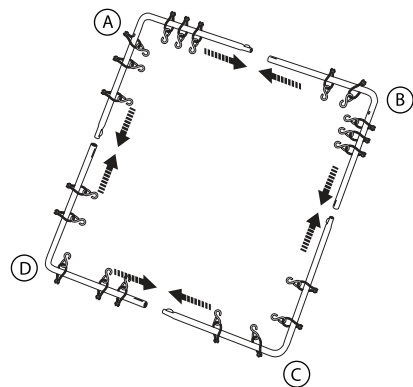
PARTS



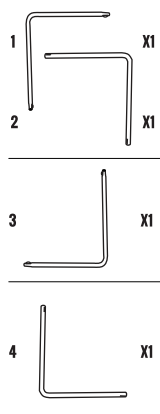
NOTE

Place **Bungee Cords** (#6) around all 4 **Elbow Tubes** (#1, #2, #3, #4).

STEP 2



PARTS



NOTE

Attach **Elbow Tube A** (#1) to **Elbow Tube B** (#2) (This will be top of Net). Attach **Elbow Tube C** (#3) to **Elbow Tube B** (#2) and **Elbow Tube D** (#4) to **Elbow Tube A** (#1). Connect **Elbow Tube C & D** (#3 & #4) at bottom to complete frame.

PARTS LIST

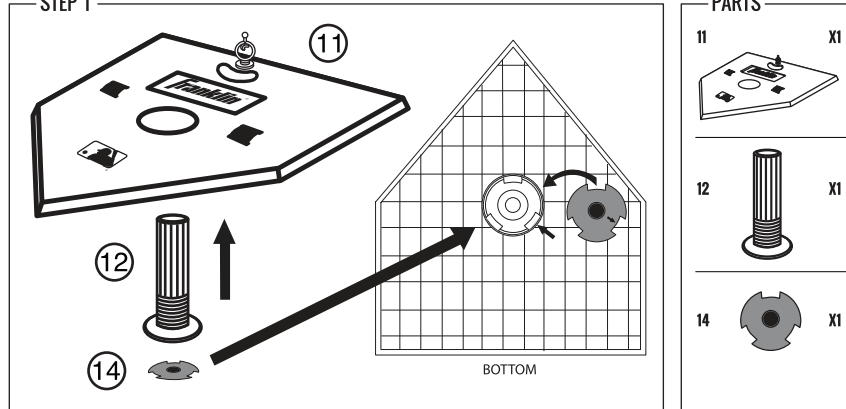
1		QTY x1	2		QTY x1	3		QTY x1	4		QTY x1
Elbow Tube A - Top Left			Elbow Tube B - Top Right			Elbow Tube C - Bottom Right			Elbow Tube D - Bottom Left		
Rep Part: 1993S1-R1			Rep Part: 1993S1-R8			Rep Part: 1993S1-R9			Rep Part: 1993S1-R10		
5		QTY x2	6		QTY x20	7		QTY x1	8		QTY x2
Leg Set			Bungee Cords			Net			Ground Stakes		
Rep Part: 1993S1-R2			Rep Part: 1993S1-R3			Rep Part: 1993S1-R4			Rep Part: 24804-R18		
9		QTY x2	10		QTY x1	11		QTY x1	12		QTY x1
XS Bolt & Wing Nut Set			Target Ribbon			Tee Base			Red Anti Tip Joint		
Rep Part: 1993S1-R6			Rep Part: 24807-R6			Rep Part: 1993S1-R11			Rep Part: 1559S1-R2		
13		QTY x1	14		QTY x1	15		QTY x2	16		QTY x1
Ball Holder			Post Locking Mechanism			Tee Tubing			Corded Ball		
Rep Part: 1559S1-R3			Rep Part: 1559S1-R4			Rep Part: 1559S1-R5			Rep Part: 1955-7		

ASSEMBLY INSTRUCTIONS - TEE SET UP

GENERAL NOTE

Remove all components from the package and confirm all parts are included.

STEP 1



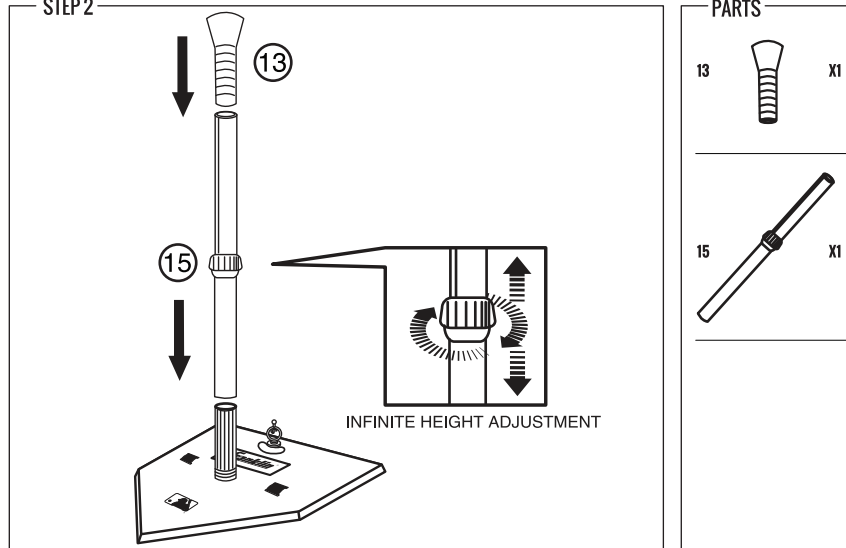
PARTS

- 11 X1
- 12 X1
- 14 X1

NOTE

Insert **Anti-Tip Joint**(#12) through **Tee Base**(#11). Use **Post Locking Mechanism**(#14) to twist into place.

STEP 2



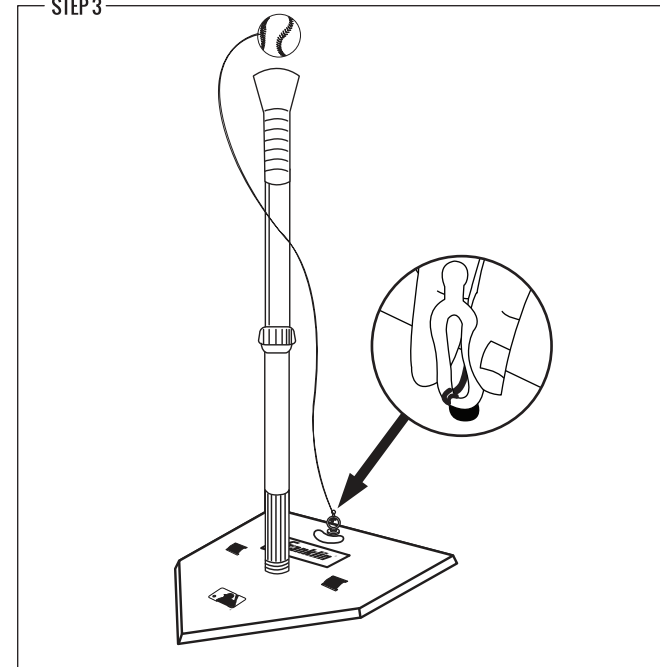
PARTS

- 13 X1
- 15 X1

NOTE

With the **Tee Tubing**(#15) attach to **Anti-Tip Joint**(#12) and attach **Ball Holder**(#13) to complete tee. (NOTE – Loosen the **Tee Tubing**(#15) for height adjustment.)

STEP 3



PARTS

- 16 X1

NOTE

To attach the **Corded Ball**(#16), squeeze the rubber black attachment and insert through bottom of base.