

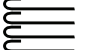


- PARTS**
- 14  x1
 - 15  x1
 - 17  x4

NOTE

Attach the **Strike Zone Ribbon** (#15) by weaving through the **Net** (#14) and connecting the self stick patches at the end.

NOTE: use **Ground Stakes** (#17) for extra stability when needed.

⚠ WARNING:
Use extreme caution when assembling the net to the frame. The bungees will be under extreme tension and must be attached carefully. Adult assembly is strongly recommended.

YOU ARE NOW READY TO PLAY!

Made In China
Franklin Sports Inc.
Stoughton, MA 02072



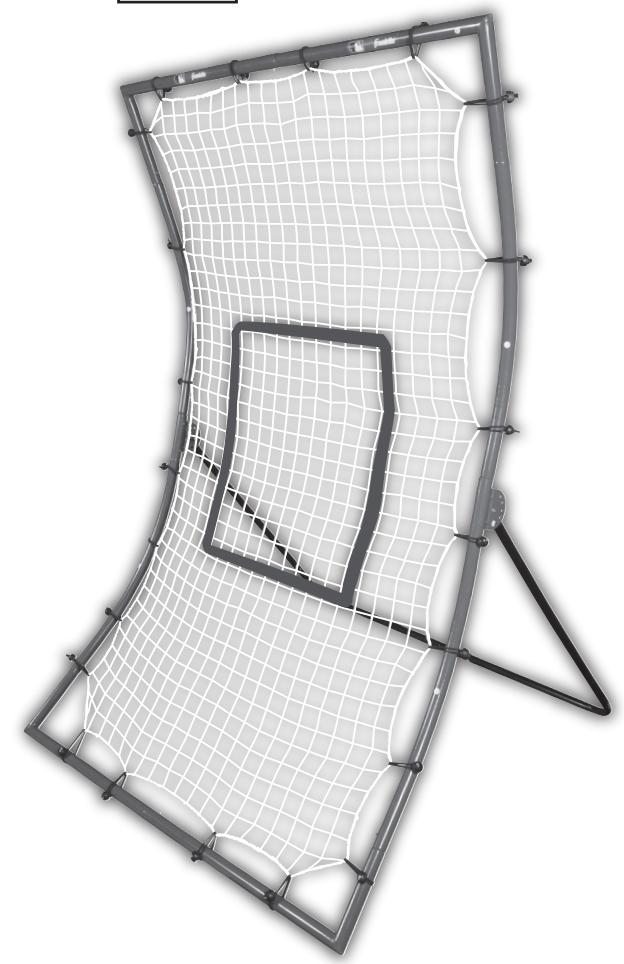
Major League Baseball trademarks and copyrights are used with permission of Major League Baseball. Visit MLB.com

Franklin[®]



68in x 44in (1.72m x 1.12m)
FLYBACK[®] LT RETURN

ITEM NUMBER: **24804**



NOTE: PRINT FRONT TO BACK

Franklin®

CUSTOMER SERVICE COMMITMENT

Thank you for purchasing this Franklin® product! In the event that the product you've purchased has missing or damaged parts, please contact us at:

parts@franklinsports.com

or

Visit our website at: **franklinsports.com/instructions**

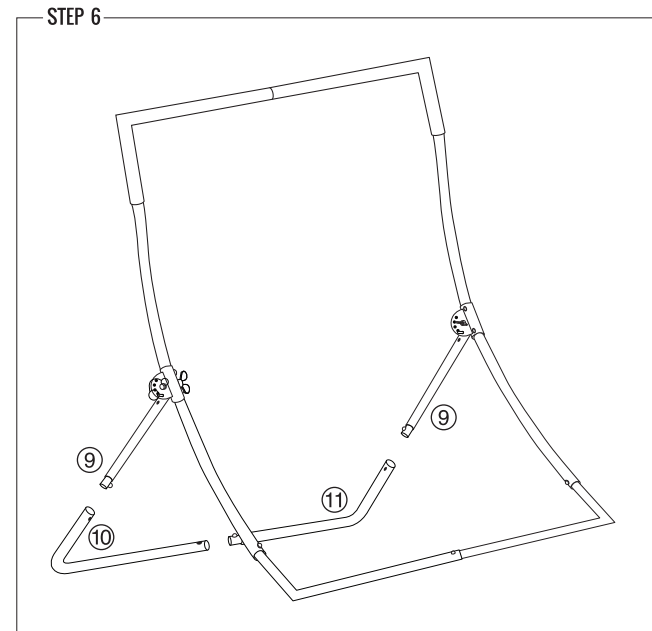
If possible, please include product part number and parts description so we can best assist you.

WE'RE HERE FOR YOU!

PLEASE DO NOT RETURN THIS PRODUCT TO THE STORE IT WAS PURCHASED FROM.

WE ARE COMMITTED TO FULFILLING ALL REPLACEMENT PART NEEDS IMMEDIATELY.

Thank you for your continued support, and welcome to the #FranklinFamily!

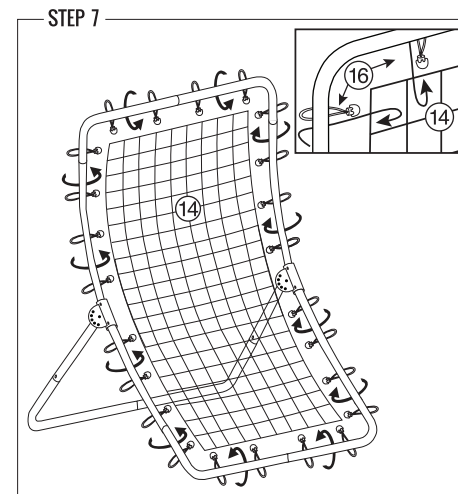


PARTS

9		x2
10		x1
11		x1

NOTE

To complete the full return frame, take **Left & Right Back Corner Tubes** (#10 and #11) and connect **Left Back Corner Tube** (#10) to **Back Middle Tube** (#9) and repeat on other side with **Right Back Corner Tube** (#11). Lastly, connect **Left & Right Back Corner Tubes** (#10 and #11) together at bottom to complete frame.



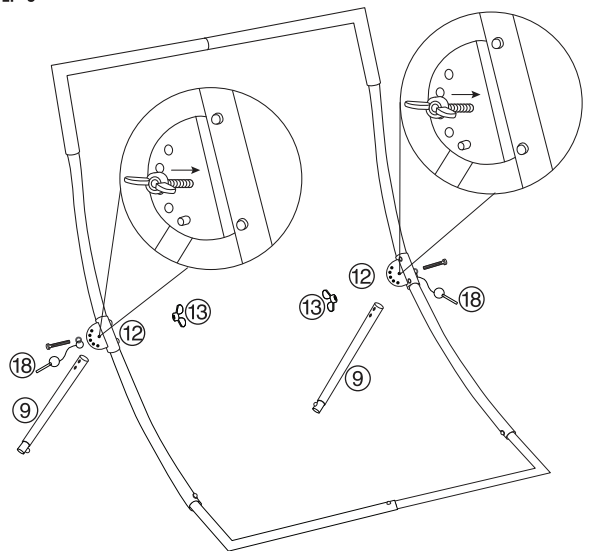
PARTS

14		x1
16		x24

NOTE

To attach **Net** (#14) to frame, spread out net and find red tabs attached to net. The red tabs indicate the corners. To attach **Toothed Bungees** (#16) to net hold plastic ball in place and wrap free end around net and side tube. Loop the free bungee around the plastic ball.

STEP 5



PARTS

9		x2
12		x2
13		x1
18		x2

NOTE

Using the **Locking Pin** (#18) and **Bolt & Wing Nut Set** (#13), slide the screw into the locking pin hole (See Diagram A). Take **Back Middle Tube** (#9) and insert into the **Hinge** (#12). With the holes aligned, slide the **Bolt & Wing Nut Set** (#13) with **Locking Pin** (#18) through **Hinge** (#12) and **Back Middle Tube** (#9) then tighten with butterfly wing. Repeat on other side.

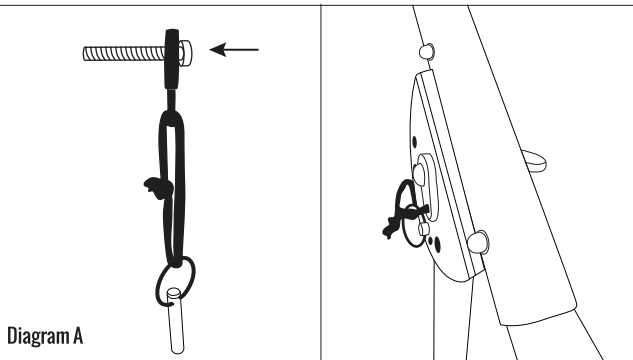
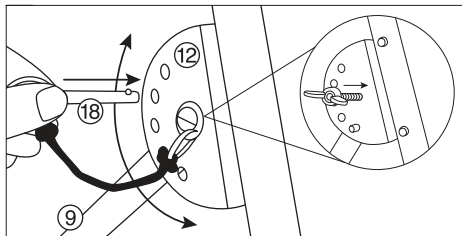


Diagram A

HOW TO ADJUST



PARTS

9		x2
12		x2
18		x2

NOTE

Adjust frame to the desired angle by lining up the holes in the **Hinges** (#12) with the holes in the **Back Middle Tubes** (#9) using the **Locking Pins** (#18) to lock Frame into place. Repeat on both sides.

PARTS LIST

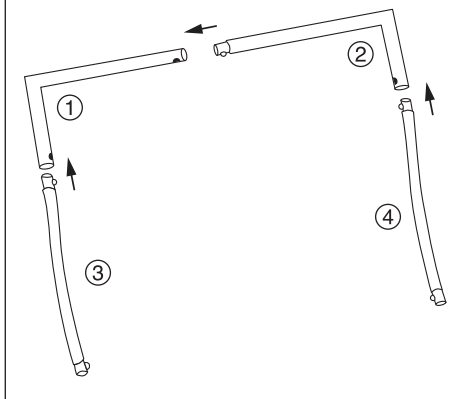
1 Left Top Corner Tube Rep. Part: 24804-R1 QTY x1	2 Right Top Corner Tube Rep. Part: 24804-R2 QTY x1	3 Left Top Middle Tube Rep. Part: 24804-R3 QTY x1	4 Right Top Middle Tube Rep. Part: 24804-R25 QTY x1
5 Left Bottom Middle Tube Rep. Part: 24804-R4 QTY x1	6 Right Bottom Middle Tube Rep. Part: 24804-R5 QTY x1	7 Left Bottom Corner Tube Rep. Part: 24804-R6 QTY x1	8 Right Bottom Corner Tube Rep. Part: 24804-R7 QTY x1
9 Back Middle Tubes Rep. Part: 24804-R19 QTY x2	10 Left Back Corner Tube Rep. Part: 24804-R20 QTY x1	11 Right Back Corner Tube Rep. Part: 24804-R21 QTY x1	12 Hinges Rep. Part: 24804-R22 QTY x2
13 Bolt & Wing Nut Set Rep. Part: 24804-R14 QTY x2	14 Net Rep. Part: 24804-R15 QTY x1	15 Strike Zone Ribbon Rep. Part: 24804-R16 QTY x1	16 Toothed Bungees Rep. Part: 24804-R23 QTY x24
17 Ground Stakes Rep. Part: 24804-R18 QTY x4	18 Locking Pins Rep. Part: 24804-R24 QTY x2		

ASSEMBLY INSTRUCTIONS





GENERAL NOTE

1. Find a clean, level place to begin the assembly of your FLYBACK® LT Return. We recommend that two adults work together to assemble this FLYBACK® LT Return.
2. Remove all components from the package and confirm all the parts are included. Please see Step 1 to begin assembly.

STEP 1



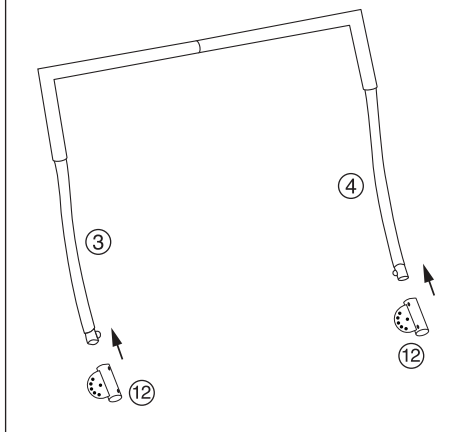
PARTS

- 1  x1
- 2  x1
- 3  x1
- 4  x1




NOTE

To begin frame, take **Left & Right Top Corner Tubes (#1 and #2)** and connect with push buttons to form top of frame. Then, take **Left & Right Top Middle Tubes (#3 and #4)** and connect to **Left & Right Top Corner Tubes (#1 and #2)** respectively. When connecting **Left & Right Top Tubes (#3 and #4)** ensure tubes have an upward angle.

STEP 2



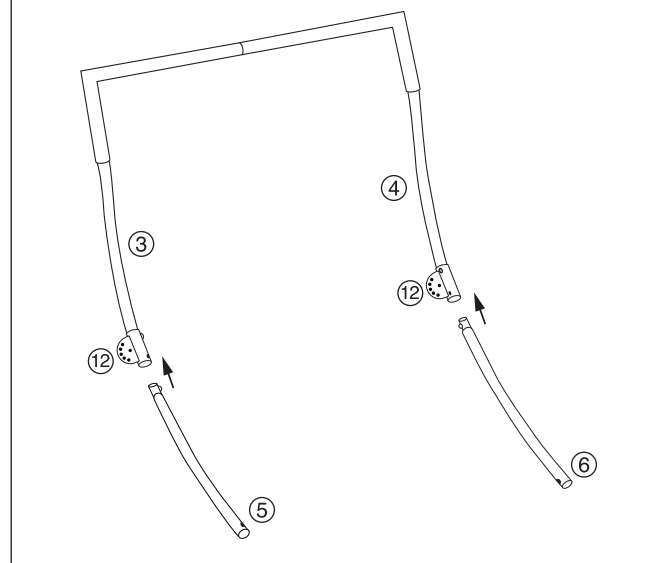
PARTS

- 3  x1
- 4  x1
- 12  x2






NOTE

Take **Hinge (#12)** and connect to **Left Top Middle Tube (#3)**. Repeat on other side using **Hinge (#12)** and **Top Middle Tube (#4)**. When connecting **Hinges (#12)** ensure hinges are facing down.

STEP 3



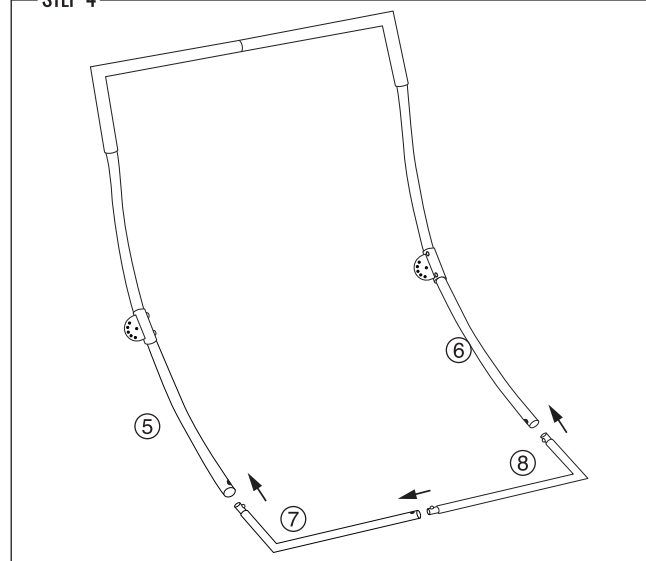
PARTS

- 3  x1
- 4  x1
- 5  x1
- 6  x1
- 12  x2



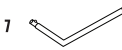

NOTE

Take **Left & Right Bottom Middle Tubes (#5 and #6)** and connect to **Hinges (#12)**.

STEP 4



PARTS

- 5  x1
- 6  x1
- 7  x1
- 8  x1

NOTE

Connect **Left Bottom Corner Tube (#7)** to **Left Bottom Middle Tube (#5)** and connect **Right Bottom Corner Tube (#8)** to **Right Bottom Middle Tube (#6)**. Then, connect **Left & Right Bottom Corner Tubes (#7 and #8)** together to complete frame.