

Franklin[®]



L-FRAME PITCHING SCREEN

ITEM NUMBER: **24867S74**



Made In China
Franklin Sports Inc.
Stoughton, MA 02072

Franklin[®]

NOTE: PRINT FRONT TO BACK, BOOKLET STYLE



CUSTOMER SERVICE COMMITMENT

Thank you for purchasing this Franklin® product! In the event that the product you've purchased has missing or damaged parts, please contact us at:

parts@franklinsports.com

or

Visit our website at: franklinsports.com/instructions

If possible, please include product part number and parts description so we can best assist you.

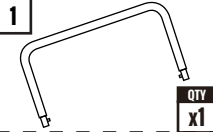
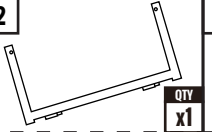
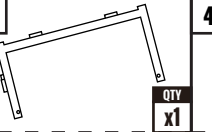

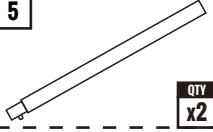
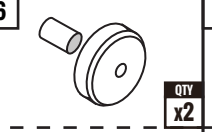
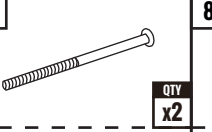
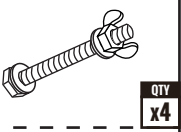

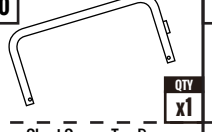
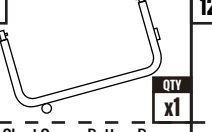
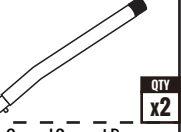

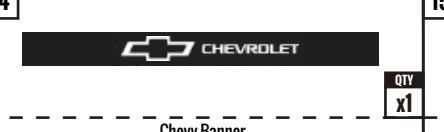
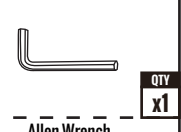
WE'RE HERE FOR YOU!

PLEASE DO NOT RETURN THIS PRODUCT TO THE STORE IT WAS PURCHASED FROM.

WE ARE COMMITTED TO FULFILLING ALL REPLACEMENT PART NEEDS IMMEDIATELY.

Thank you for your continued support, and welcome to the #FranklinFamily!

PARTS LIST

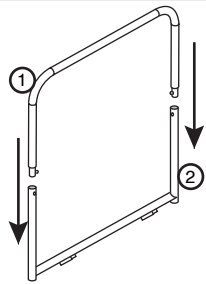
1  Tall Screen Top Bar Rep. Part: 24867-R1 QTY x1	2  Tall Screen Mid Bar A Rep. Part: 24867-R2 QTY x1	3  Tall Screen Mid Bar B Rep. Part: 24867-R3 QTY x1	4  Tall Screen Bottom Bar Rep. Part: 24867-R4 QTY x1
5  Wheel Support Bars Rep. Part: 24867-R5 QTY x2	6  Wheels Rep. Part: 24867-R6 QTY x2	7  Wheel Screws Rep. Part: 24867-R7 QTY x2	8  Wing Nut Bolt Sets Rep. Part: 24867-R8 QTY x4
9  Polyester Netting Tall Section Rep. Part: 24867-R9 QTY x1	10  Short Screen Top Bar Rep. Part: 24867-R10 QTY x1	11  Short Screen Bottom Bar Rep. Part: 24867-R11 QTY x2	12  Ground Support Bar Rep. Part: 24867-R12 QTY x2
13  Polyester Netting Short Section Rep. Part: 24867-R13 QTY x1	14  Chevy Banner Rep. Part: 24867-R14 QTY x1	15  Allen Wrench Rep. Part: 24867-R15 QTY x1	

ASSEMBLY INSTRUCTIONS

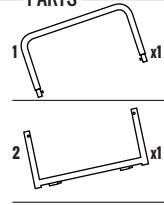
GENERAL NOTE

1. Find a clean, level place to begin the assembly of your L-Frame Pitching Screen.
2. Remove all components from the package and confirm all the parts are included. Please see Step 1 to begin assembly.

STEP 1



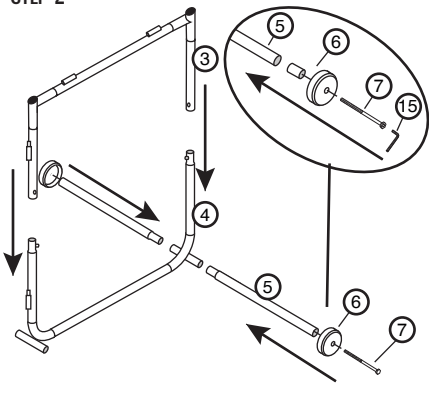
PARTS



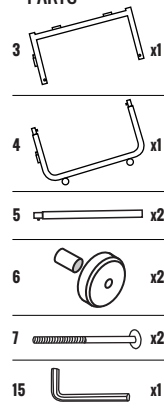
NOTE

Assemble top frame of tall screen by inserting **Tall Screen Top Bar (#1)** into **Tall Screen Mid Bar A (#2)**.

STEP 2



PARTS

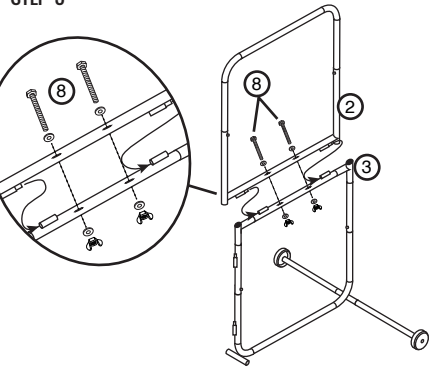


NOTE

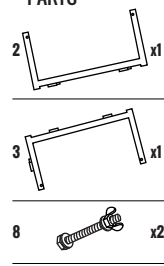
Assemble lower frame of tall screen by connecting the **Tall Screen Mid Bar B (#3)** with the **Tall Screen Bottom Bar (#4)**.

Attach **Wheel Support Bars (#5)** on both sides of the screen per the illustration. Connect the **Wheels (#6)** by first sliding the **Wheels (#7)** then sliding the metal cylinder over each wheel screw and attach firmly into the end of the wheel support bars. Use **Allen Wrench (#15)** for easy wheel assembly.

STEP 3



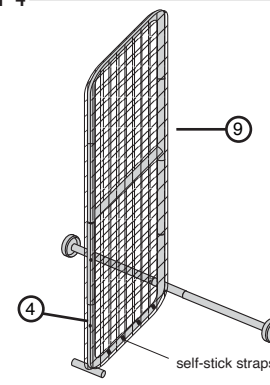
PARTS



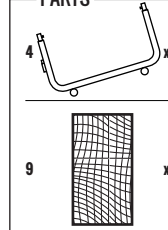
NOTE

Connect top frame to bottom frame by inserting the pegs of the **Tall Screen Mid Bar A (#2)** into the receiver slots on the **Tall Screen Mid Bar B (#3)**. Secure using two **Wing Nut Bolt Sets (#8)** as pictured.

STEP 4



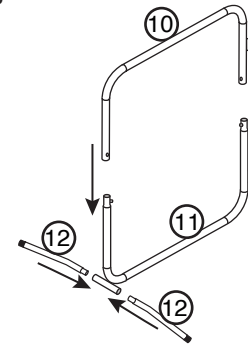
PARTS



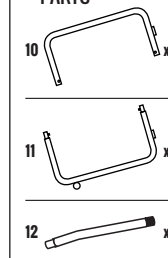
NOTE

Slide **Polyester Netting for Tall Section (#9)** over connected frames. Fasten the pre-installed self-stick straps at the bottom of the netting under **Tall Screen Bottom Bar (#4)**.

STEP 5



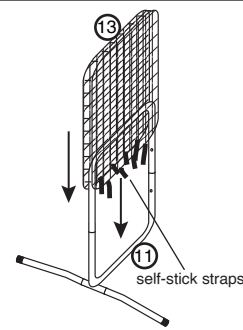
PARTS



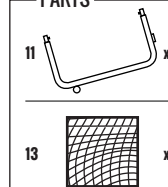
NOTE

Assemble frame of short screen by inserting the **Short Screen Top Bar (#10)** into the **Short Screen Bottom Bar (#11)**. Attach the **Ground Support Bars (#12)** by inserting them into the bottom of the short screen bottom bar.

STEP 6



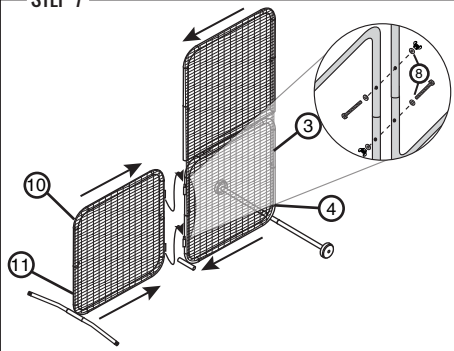
PARTS








NOTE

Slide **Polyester Netting for Short Section (#13)** over frame. Fasten the pre-installed self-stick straps at the bottom of the netting under the **Short Screen Bottom Bar (#11)**.

STEP 7



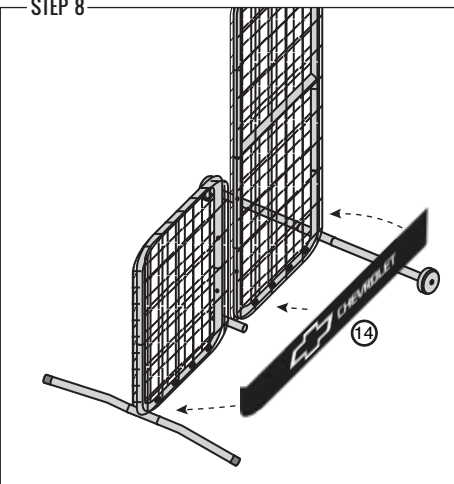
PARTS

- 3  x1
- 4  x1
- 8  x2
- 10  x1
- 11  x1

NOTE

Connect short screen to tall screen by inserting rods on side of tall screen into receptors on side of short screen. Screw in two **Wing Nut Bolt Sets (#8)** to secure as pictured.

STEP 8



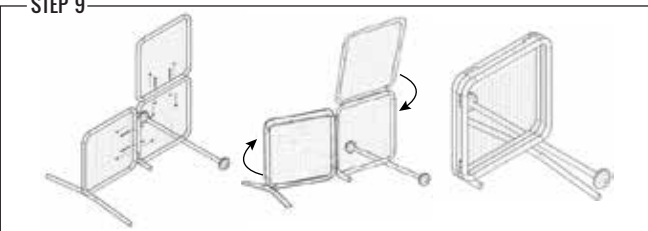
PARTS

- 14  x1

NOTE

Attach **Chevy Banner (#14)** to the lower portion of the frame and fasten pre-installed self-stick straps into place.

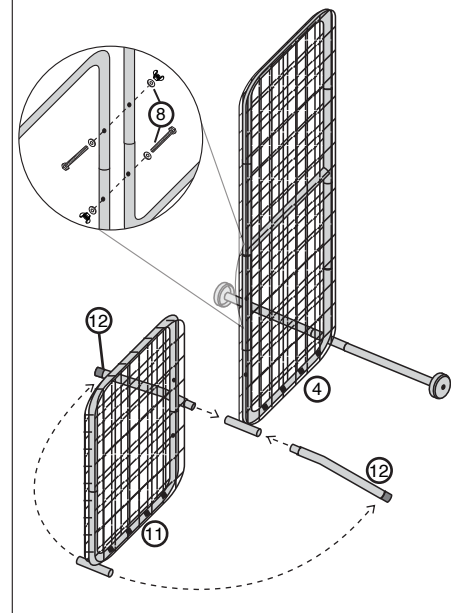
STEP 9






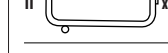
NOTE

Remove all four wing nut screw sets from frame for collapsible feature.

STEP 10 - FOR TALL SCREEN USE ONLY



PARTS

- 4  x1
- 8  x2
- 11  x1
- 12  x2

NOTE

Remove the two **Ground Support Bars (#12)** from the **Short Screen Bottom Bar (#11)** of short section and insert into each end of the unoccupied tube attached to the **Tall Screen Bottom Bar (#4)** of tall section. Remove short section of L-frame by unscrewing the two **Wing Nut Bolt Sets (#8)** attached to short section.

YOU ARE NOW READY TO PLAY!