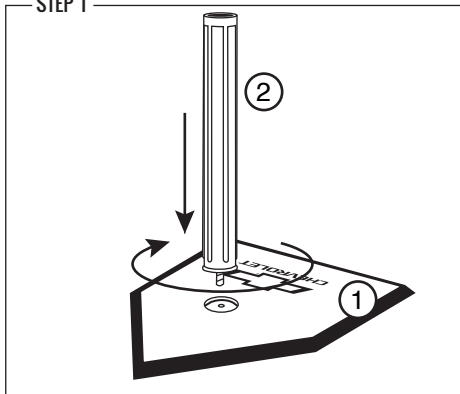


ASSEMBLY INSTRUCTIONS

GENERAL NOTES

- Remove all parts from the display box to ensure that you have all of the parts listed.

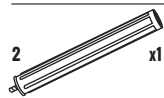
STEP 1



PARTS



x1

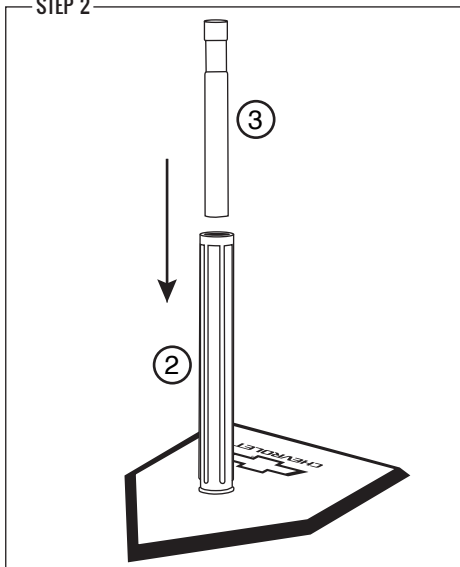


x1

NOTE

Screw **Lower Tube** (#2) into **Base** (#1) by rotating clockwise.

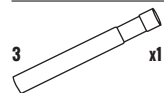
STEP 2



PARTS



x1



x1

NOTE

Insert **Upper Tube** (#3) into **Lower Tube** (#2) as shown.

YOU ARE NOW READY TO PLAY!

Made In China
Franklin Sports Inc.
Stoughton, MA 02072

Franklin



INDUSTRIAL BATTING TEE

ITEM NUMBER: **24869S74**



NOTE: PRINT FRONT TO BACK



CUSTOMER SERVICE COMMITMENT

Thank you for purchasing this Franklin product! In the event that the product you've purchased has missing or damaged parts, please contact us at:

parts@franklinsports.com

or

Visit our website at: franklinsports.com/instructions

If possible, please include product part number and parts description so we can best assist you.

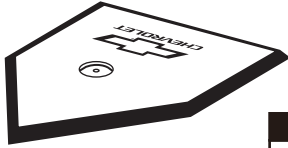
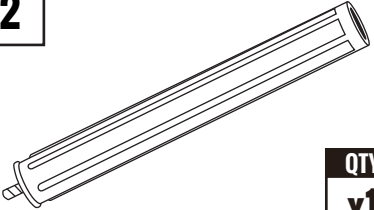
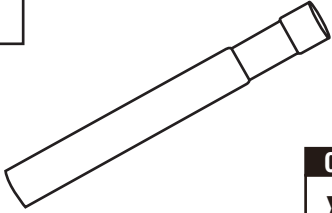
WE'RE HERE FOR YOU!

PLEASE DO NOT RETURN THIS PRODUCT TO THE STORE IT WAS PURCHASED FROM.

WE ARE COMMITTED TO FULFILLING ALL REPLACEMENT PART NEEDS IMMEDIATELY.

Thank you for your continued support, and welcome to the #FranklinFamily!

PARTS LIST

1		2	
	QTY x1		QTY x1
Base		Lower Tube	
Rep. Part: 24869-R1		Rep. Part: 24852-R2	
3			
	QTY x1		
Upper Tube			
Rep. Part: 24852-R3			