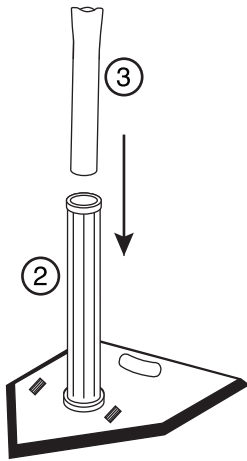
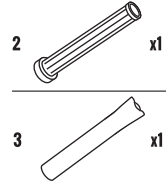


STEP 2



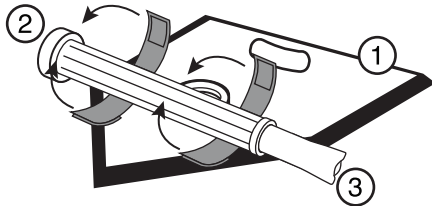
PARTS



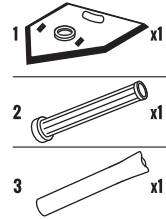
NOTE

Insert **Upper Tube (#3)** into **Lower Tube (#2)**.

STORAGE



PARTS



NOTE

Wrap storage straps (pre-installed) around **Connected Tubing (#2 & #3)** for easy storage.

**YOU ARE NOW READY TO PLAY!**

Made In China  
Franklin Sports Inc.  
Stoughton, MA 02072



**Franklin**<sup>®</sup>

ONE POSITION

# BATTING TEE

ITEM NUMBER: **24894**



NOTE: PRINT FRONT TO BACK



## CUSTOMER SERVICE COMMITMENT

Thank you for purchasing this Franklin® product! In the event that the product you've purchased has missing or damaged parts, please contact us at:

[parts@franklinsports.com](mailto:parts@franklinsports.com)

or

Visit our website at: [franklinsports.com/instructions](http://franklinsports.com/instructions)

If possible, please include product part number and parts description so we can best assist you.


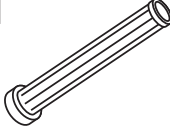
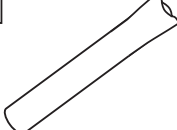
### WE'RE HERE FOR YOU!

**PLEASE DO NOT RETURN THIS PRODUCT TO THE STORE IT WAS PURCHASED FROM.**

**WE ARE COMMITTED TO FULFILLING ALL REPLACEMENT PART NEEDS IMMEDIATELY.**

Thank you for your continued support, and welcome to the #FranklinFamily!

## PARTS LIST

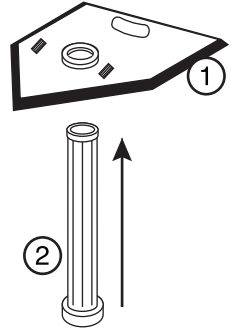
 <p><b>1</b></p> <p>QTY x1</p>	 <p><b>2</b></p> <p>QTY x1</p>	 <p><b>3</b></p> <p>QTY x1</p>
<p>Home Plate Rep. Part: 24984-R1</p>	<p>Lower Tube Rep. Part: 2776-R2</p>	<p>Upper Tube Rep. Part: 2776-R3</p>

## ASSEMBLY INSTRUCTIONS

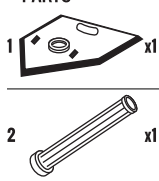
### GENERAL NOTES

- Remove all parts from the display box to ensure that you have all of the parts listed.

**STEP 1**



**PARTS**



**NOTE**

Insert **Lower Tube** (#2) through the hole in the bottom of **Home Plate** (#1).