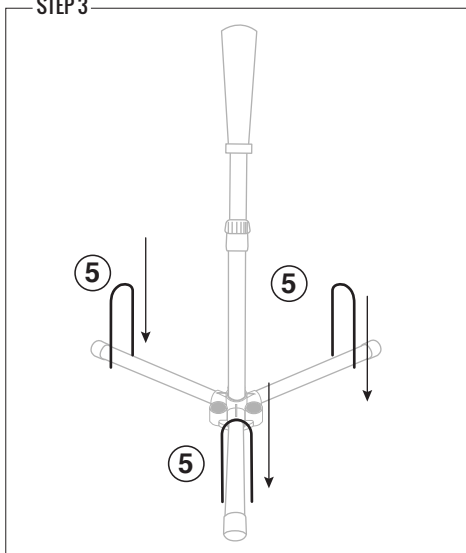


STEP 3



PARTS

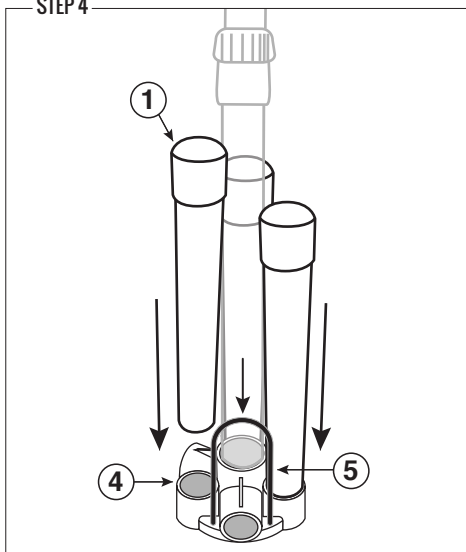


NOTE

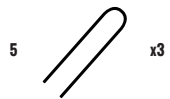
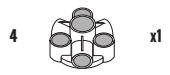
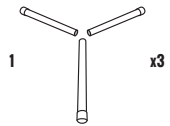
If outside, use **Ground Stakes (#5)** and place one ground stake on each leg as pictured for added stability.

# YOU ARE NOW READY TO PLAY!

STEP 4



PARTS



NOTE

When done using tee, insert the (3) **Weighted PVC Legs (#1)** into the (3) top openings and the **Ground Stakes (#5)** into the (2) small holes of the **Tri Connector (#4)** for portability.



Made In China  
Franklin Sports Inc.  
Stoughton, MA 02072



Major League Baseball trademarks and copyrights are used with permission of Major League Baseball. Visit MLB.com.



# FLEX TOP® TEE BALL BATTING TEE

ITEM NUMBER: **24954**



NOTE: PRINT FRONT TO BACK



## CUSTOMER SERVICE COMMITMENT

Thank you for purchasing this Franklin® product! In the event that the product you've purchased has missing or damaged parts, please contact us at:

[parts@franklinsports.com](mailto:parts@franklinsports.com)

or

Visit our website at: [franklinsports.com/instructions](http://franklinsports.com/instructions)

If possible, please include product part number and parts description so we can best assist you.

# WE'RE HERE FOR YOU!

**PLEASE DO NOT RETURN THIS PRODUCT TO THE STORE IT WAS PURCHASED FROM.**

**WE ARE COMMITTED TO FULFILLING ALL REPLACEMENT PART NEEDS IMMEDIATELY.**

Thank you for your continued support, and welcome to the #FranklinFamily!

## PARTS LIST

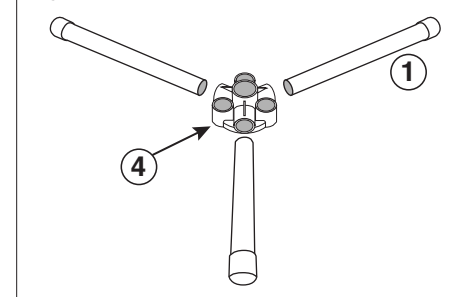
1		2		3		4		5	
	QTY x3		QTY x1		QTY x1		QTY x1		QTY x3
	Weighted PVC Legs		Twist and Lock Post		Tee Topper		Tri Connector		Ground Stakes
	Rep. Part: 24954-R2		Rep. Part: 24954-R3		Rep. Part: 24953-R3		Rep. Part: 24954-R1		Rep. Part: 24954-R4

### GENERAL NOTES

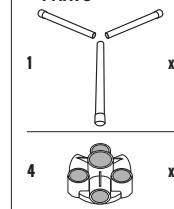
Remove all parts from the display box to ensure that you have all of the parts listed.

## ASSEMBLY INSTRUCTIONS

### STEP 1



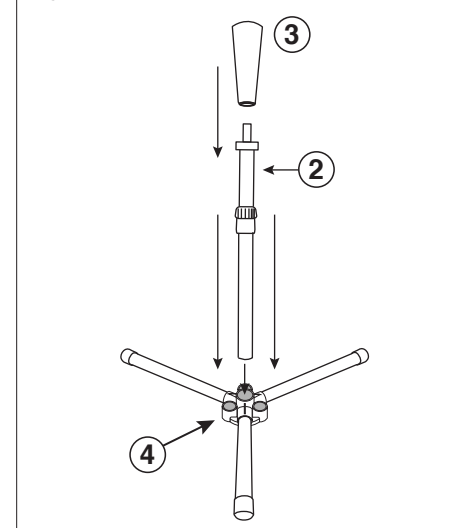
### PARTS



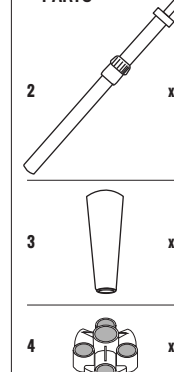
### NOTE

Insert the (3) **Weighted Legs** (#1) into the (3) side openings of the **Tri Connector** (#4).

### STEP 2



### PARTS



### NOTE

Place the **Topper** (#3) on the **Twist and Lock Post** (#2).

Insert the **Twist and Lock Post** (#2) into top opening of the **Tri Connector** (#4).