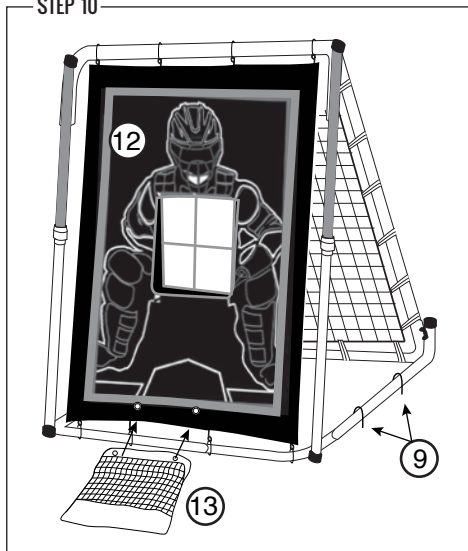
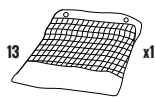


STEP 10



PARTS



NOTE

Attach **Collection Bag** (#13) to clips of front of catcher **Pitch Target** (#12) and place 4 **Ground Stakes** (#9) onto Pro Catcher Return (2 on each side).

Franklin[®]

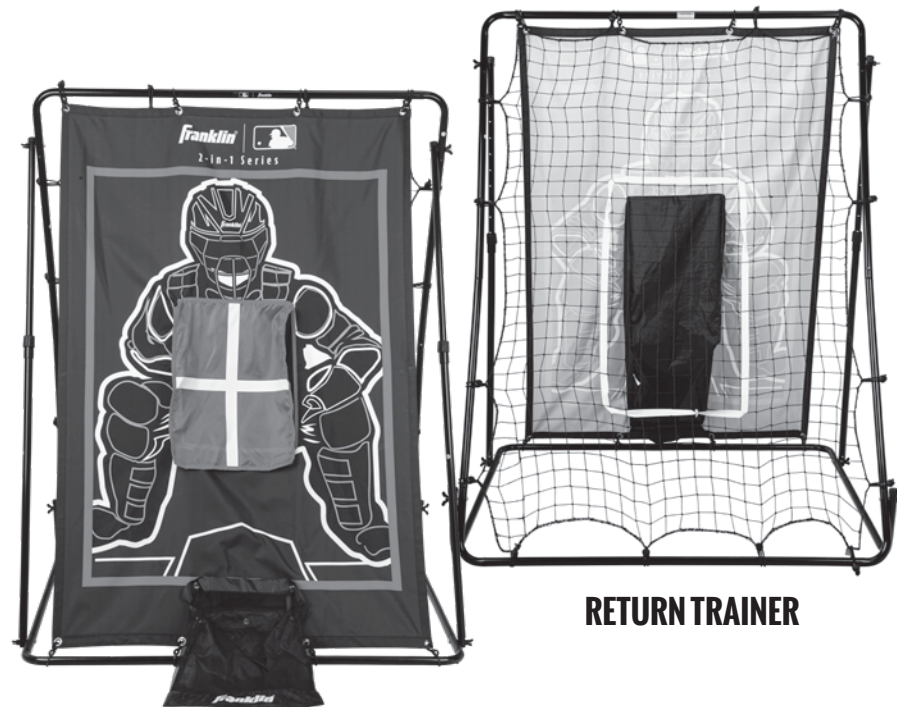


61in x 44in (155cm x 112cm)

PRO CATCHER RETURN

ITEM NUMBER: **2719X**

YOU ARE NOW READY TO PLAY!



PITCH TARGET

RETURN TRAINER

Made In China
Franklin Sports Inc.
Stoughton, MA 02072



Major League Baseball trademarks and copyrights are used with permission of Major League Baseball. Visit MLB.com.

NOTE: PRINT FRONT TO BACK, BOOKLET STYLE

Franklin®

CUSTOMER SERVICE COMMITMENT

Thank you for purchasing this Franklin® product! In the event that the product you've purchased has missing or damaged parts, please contact us at:

parts@franklinsports.com

or

Visit our website at: franklinsports.com/instructions

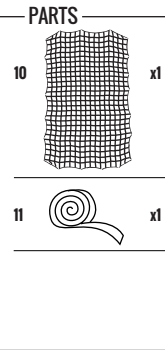
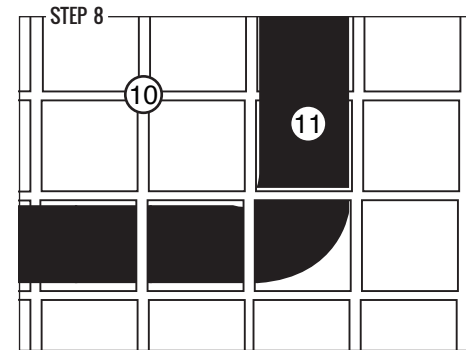
If possible, please include product part number and parts description so we can best assist you.

WE'RE HERE FOR YOU!

PLEASE DO NOT RETURN THIS PRODUCT TO THE STORE IT WAS PURCHASED FROM.

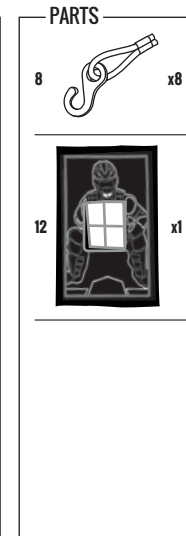
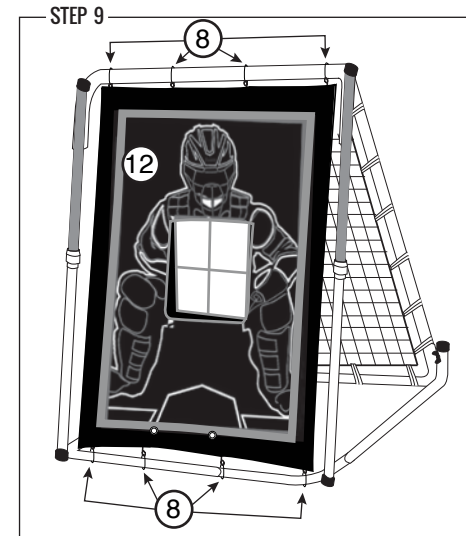
WE ARE COMMITTED TO FULFILLING ALL REPLACEMENT PART NEEDS IMMEDIATELY.

Thank you for your continued support, and welcome to the #FranklinFamily!



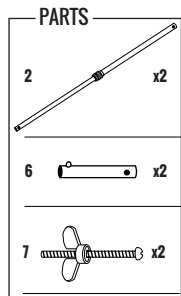
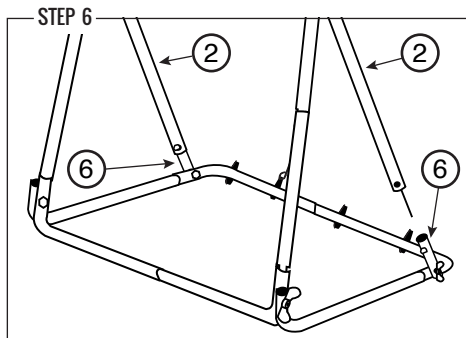
NOTE

Attach **Strike Zone Ribbon** (#11) by weaving through **Net** (#10) and tying off at ends.

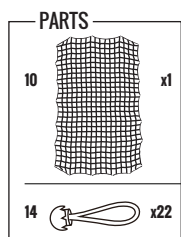
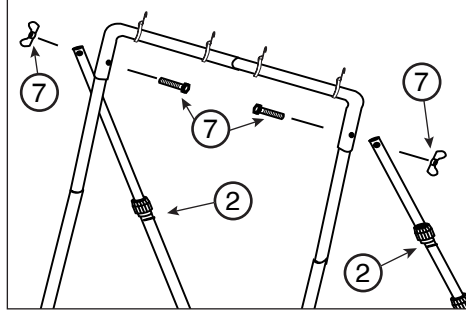


NOTE

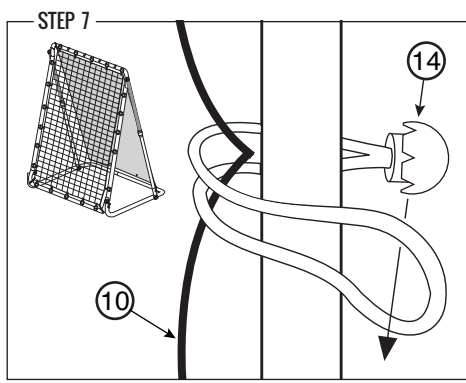
Attach the pitch target by hooking **S-Hook Bungees** (#8) into the holes of **Pitch Target** (#12).



NOTE
Take **Adjustable Tube (#2)**, slide larger bottom over 3.5in **Straight Tube (#6)** and connect with push button. Then, to connect top of frame to **Adjustable Tube (#2)** use **XL Bolt & Wing Nut Set (#7)** and slide through **44in U Shaped Tube (#1)** and **Adjustable Tube (#2)** and attach with wing nut. Repeat for other side.



NOTE
To attach **Net (#10)** to frame, spread out net and find red tabs attached to net. The red tabs indicate the corners. To attach bungees to net hold plastic ball in place and wrap free end around net and side tube. Loop the free bungee around the plastic ball.



WARNING:
Use extreme caution when assembling the net to the frame. The bungees will be under extreme tension and must be attached carefully. Adult assembly is strongly recommended.
Note: To fold flat for easy storage, depress push pins on part (6) and release support arm. Unit will now fold flat.

PARTS LIST

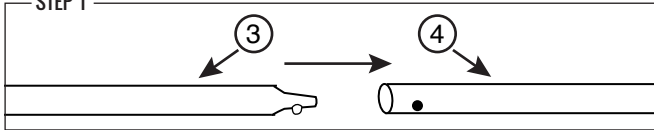
 QTY x3 44in U-Shaped Tube Rep Part: 2770Z9	 QTY x2 Adjustable Tube Rep Part: 2770Z11	 QTY x2 26in Straight Tube Rep Part: 2770Z3
 QTY x2 26in Straight Tube Rep Part: 2770Z4	 QTY x2 34in L Shaped Tube Rep Part: 2770Z5	 QTY x2 3.5in Straight Tube Rep Part: 2770Z6
 QTY x6 XL Bolt & Wing Nut Set Rep Part: 2770Z8	 QTY x8 S-Hook Bungees Rep Part: 19083-R15	 QTY x4 Ground Stakes Rep Part: 24804-R18
 QTY x1 Net Rep Part: 2770Z2	 QTY x1 Strike Zone Ribbon Rep Part: 24804-R16	 QTY x1 Pitch Target Rep Part: 2719Z12
 QTY x1 Collection Bag Rep Part: 2719-R2	 QTY x22 Toothed Bungees Rep Part: 24804-R23	Tools Required (Not Included): Phillips Screwdriver

ASSEMBLY INSTRUCTIONS

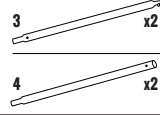
GENERAL NOTE

1. Find a clean, level place to begin the assembly of your Pro Catcher Return. We recommend that two adults work together to assemble this Pro Catcher Return.
2. Remove all components from the package and confirm all the parts are included. Please see Step 1 to begin assembly.

STEP 1



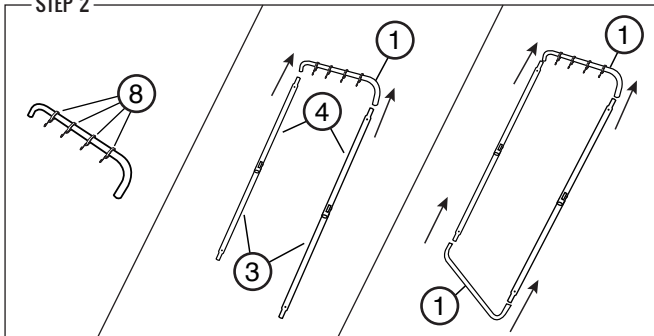
PARTS



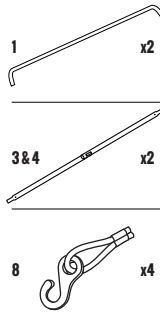
NOTE

To begin net frame take **26in Straight Tubes** (#3 & #4) and snap together using push buttons. (x2)

STEP 2



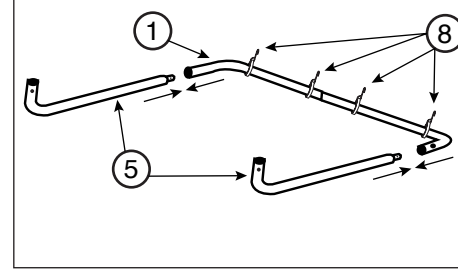
PARTS



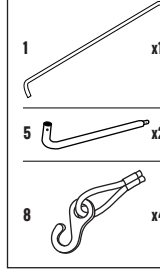
NOTE

To make the frame for the net use the **44in U Shaped Tube** (#1) with Franklin logo and slide 4 **S-Hook Bungees** (#8) across the top. Then, take **26in Straight Tubes** (#3 & #4) from Step 1 and slide onto **44in U Shaped Tube** (#1). After, use another **44in U Shaped Tube** (#1) and add to bottom to complete the frame.

STEP 3



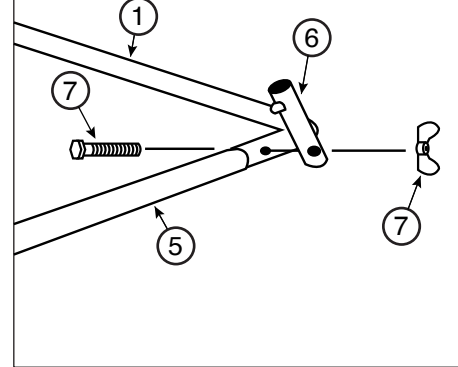
PARTS



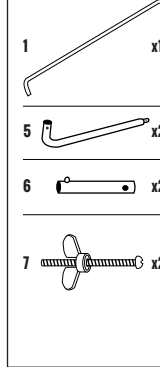
NOTE

Using the last **44in U Shaped Tube** (#1) slide 4 **S-Hook Bungees** (#8) across the tube. Then, take both **34in L Shaped Tube** (#5) and slide into **44in U Shaped Tube** (#1).

STEP 4



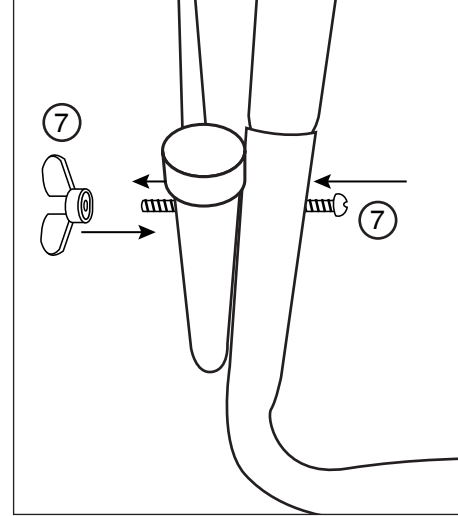
PARTS



NOTE

To fasten **44in U Shaped Tube** (#1) and **34in L Shaped Tube** (#5) from step 3, place **3.5in Straight Tube** (#6) on the outside of the frame and line up the pre-drilled holes. Take the **XL bolt & wing nut set** (#7) and slide the screw through all parts and attach with wing nut. Repeat for other side.

STEP 5



PARTS



NOTE

To attach frame from Step 2 and bottom from Step 3, take **XL bolt & wing nut set** (#7) and slide screw through pre-drilled holes and attach with wing-nut. Repeat for the other side.