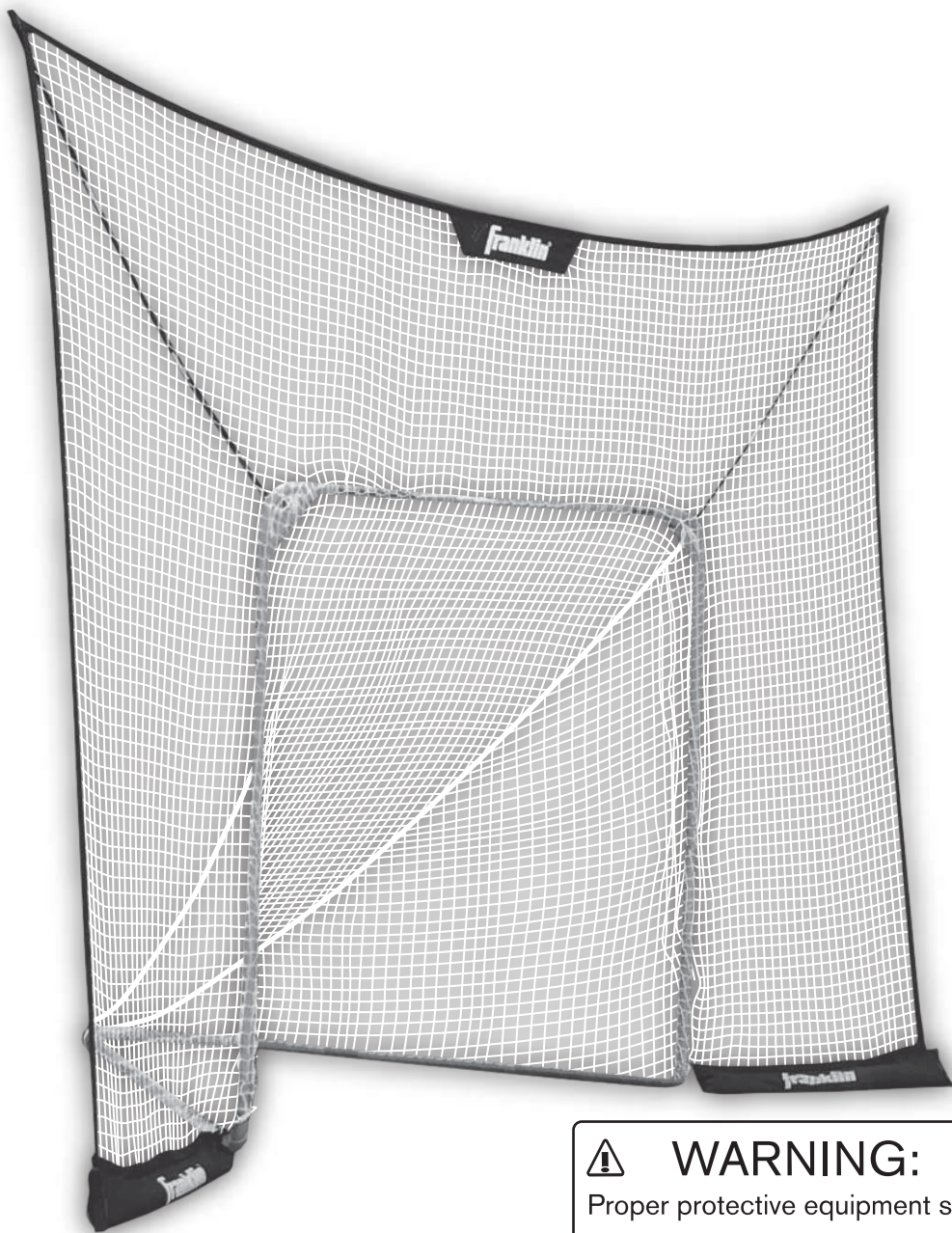


**franklin**<sup>®</sup>

**LACROSSE**

# **GOAL BACKSTOP**

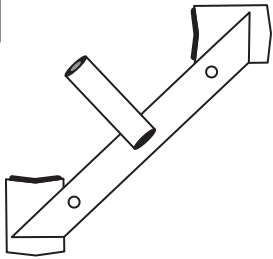
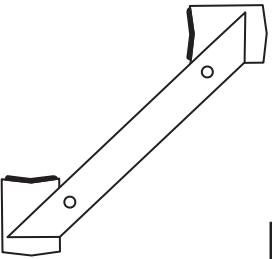
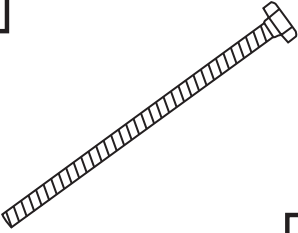


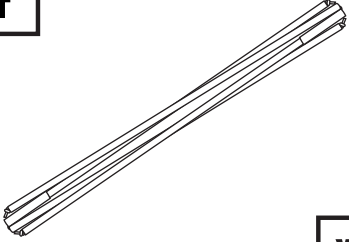
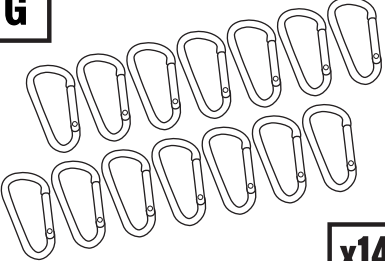
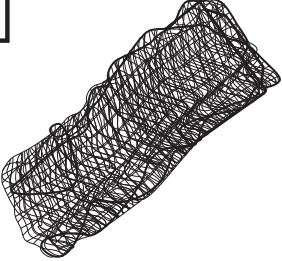
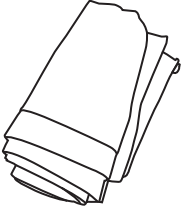
ITEM NUMBER: **49000X**



**WARNING:**

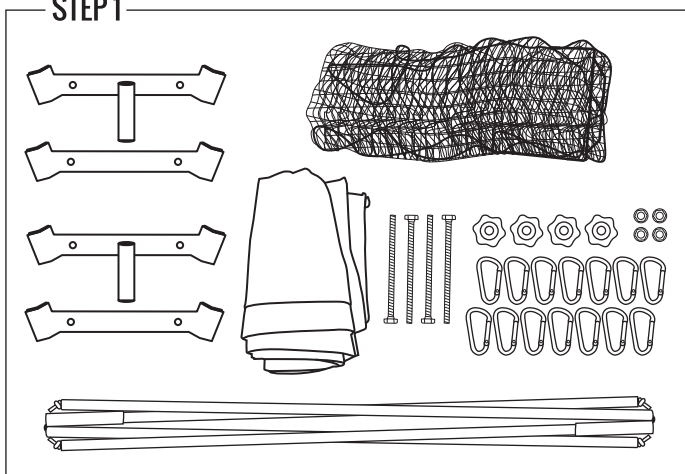
Proper protective equipment should be worn whenever these lacrosse products are used. Adult supervision is recommended.

# PARTS LIST

<b>A</b>  <b>x2</b>	<b>B</b>  <b>x2</b>	<b>C</b>  <b>x4</b>
<b>D</b>  <b>x4</b>	<b>E</b>  <b>x4</b>	<b>F</b>  <b>x2</b>
<b>G</b>  <b>x14</b>	<b>H</b>  <b>x1</b>	<b>I</b>  <b>x2</b>

# ASSEMBLY INSTRUCTIONS

## STEP 1

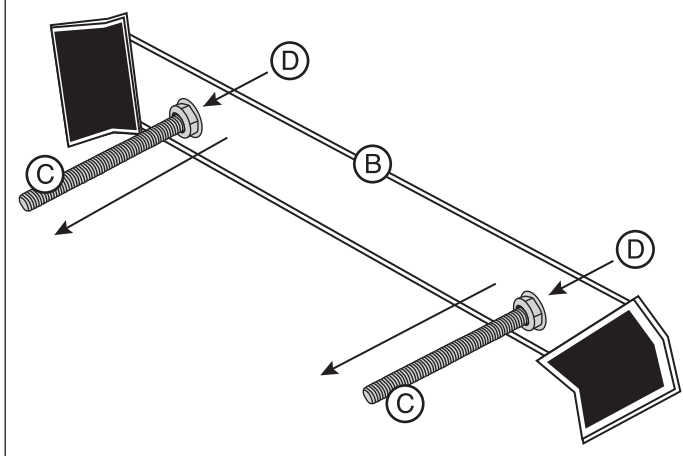


## NOTE

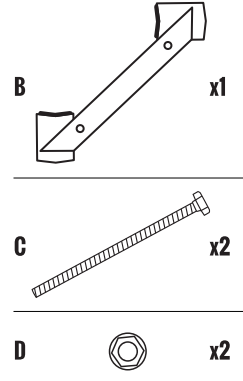
Unwrap and lay out all parts.

# ASSEMBLY INSTRUCTIONS

## STEP 2



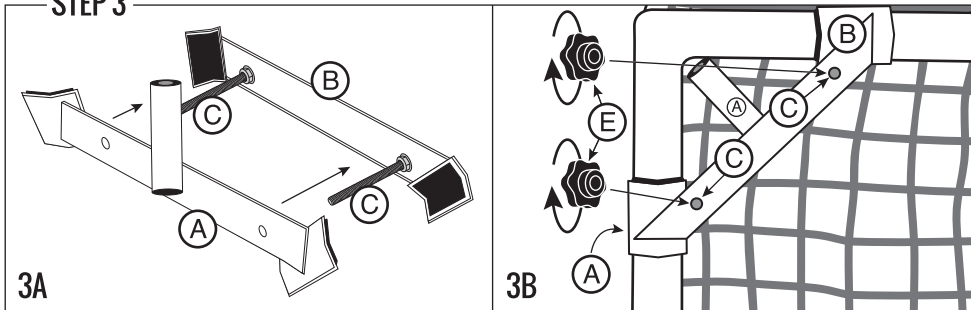
## PARTS



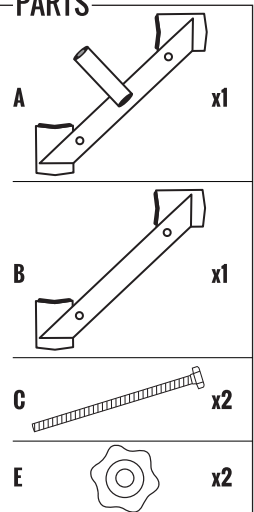
## NOTE

Insert Part C into Part B as shown, and fasten with Part D.

## STEP 3



## PARTS

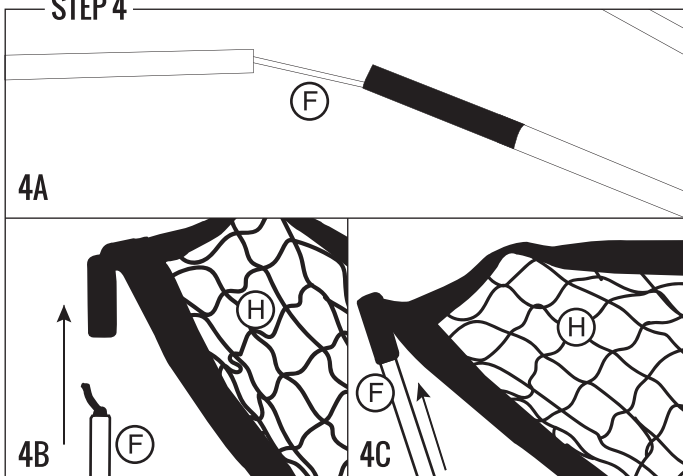


## NOTE

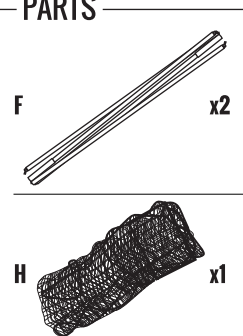
Complete the assembly of the backstop base with Part C as shown. Then fasten the base to one of the top corners of the goal using Part E. Make sure part A is facing the back of the net.

NOTE: Repeat steps 2 and 3 for the opposite top corner.

## STEP 4

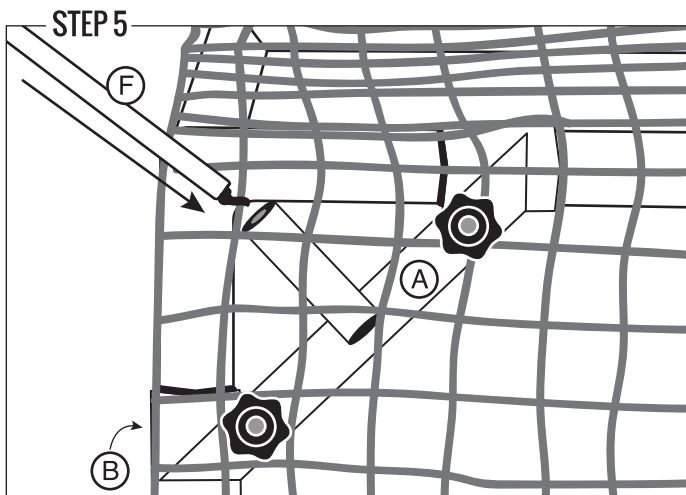


## PARTS

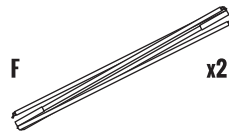
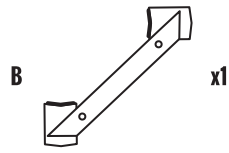
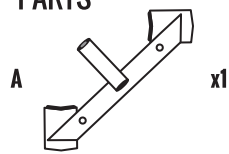


## NOTE

Assemble fiberglass poles, and insert the top of each pole into each top corner cap of the goal net.

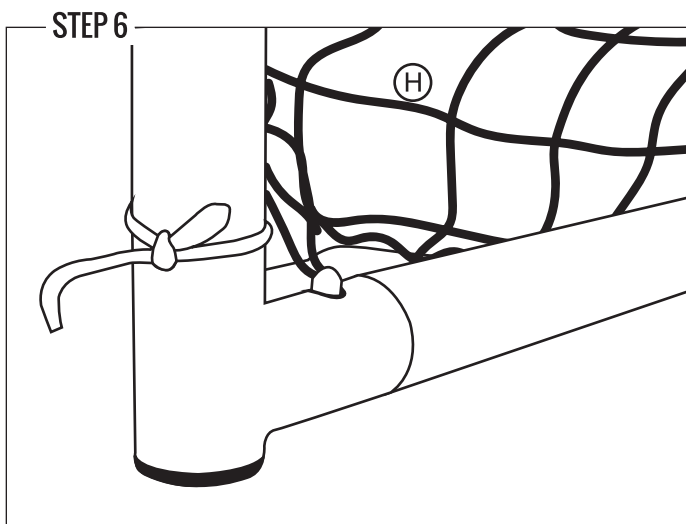


**PARTS**



**NOTE**

Insert the bottom of each fiberglass pole into the backstop base.

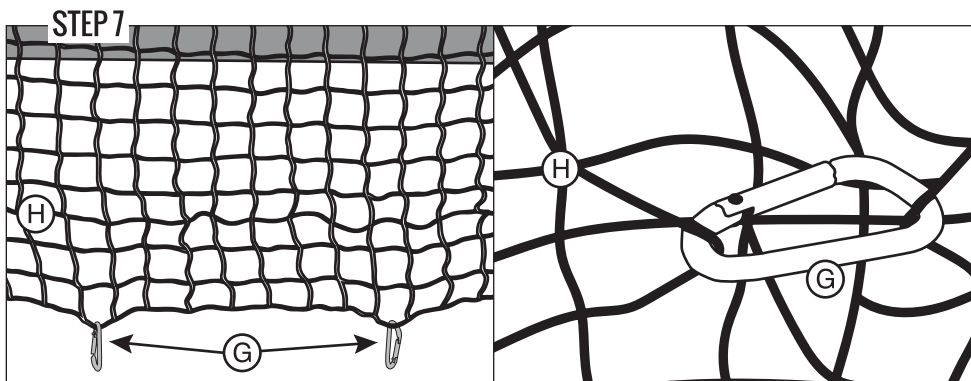


**PARTS**

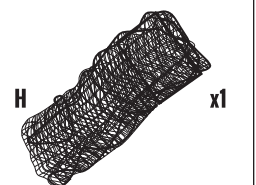


**NOTE**

Use the rope ties that are applied to the bottom inner corners of the netting to tie the backstop net to each goal post.



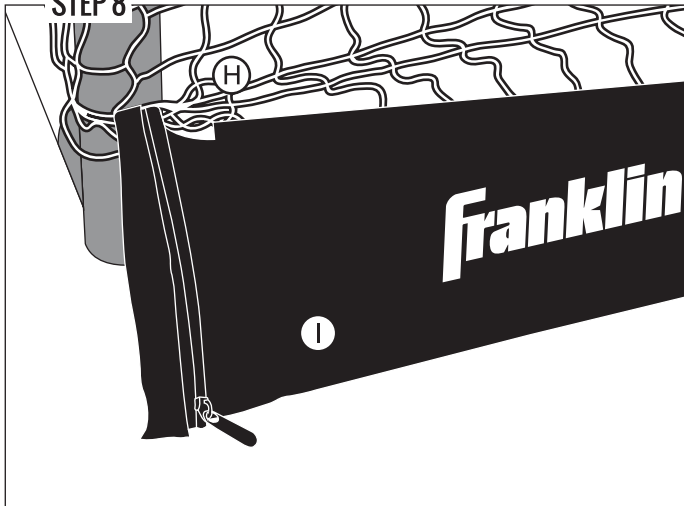
**PARTS**



**NOTE**

Drape the backstop netting in front of goal. Use steel clips to attach backstop netting to the inside of the goal netting.

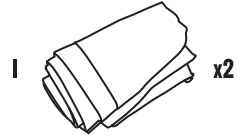
## STEP 8



## NOTE

Fill sand bags (sand not included) and fasten to backstop netting using self-stick straps.

## PARTS



# YOU ARE NOW READY TO PLAY!