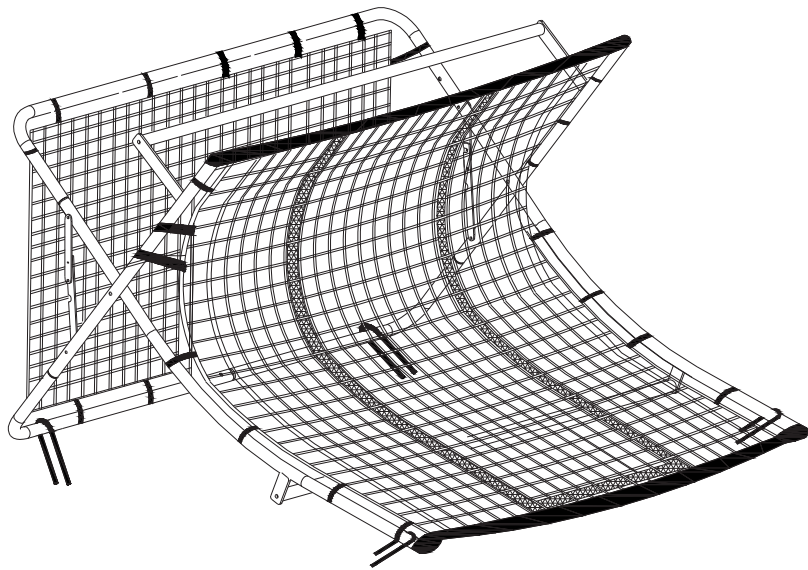


Franklin®

AGES 12+

MLS® SOCCER TRAINER
X-RAMP
 14308
INSTRUCTION SHEET



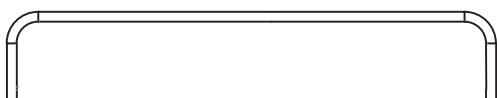
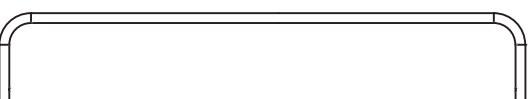

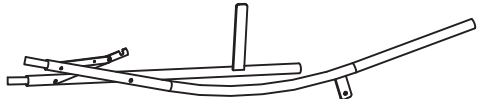

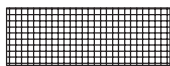
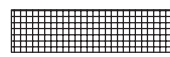




⚠ CAUTION:
 Adult assembly required

Franklin Sports Inc.
 Stoughton, MA 02072
 Made in China

For replacements parts call
 1-781-341-5178 or 1-800-225-8649
 OR visit www.franklinsports.com

©2014 MLS, MLS, the MLS logo, Major League Soccer and MLS team identifications are trademarks and copyrights of Major League Soccer, L.L.C. All rights reserved.

Parts List:

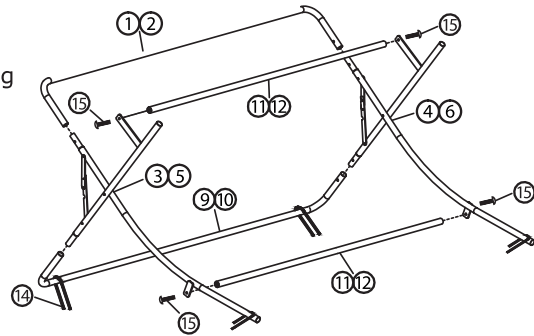
①②		1 PC
Pre-Assembled		
⑨⑩		1 PC
Pre-Assembled		
③⑤		1 PC
Pre-Assembled		
④⑥		1 PC
Pre-Assembled		
⑪⑫		2 PCS
	⑦	1 PC
	⑧	1 PC
	⑬	28 PCS
	⑭	4 PCS
	⑮	4 PCS
	⑯	1 PC

Assembly Instructions:

1) Remove all components from the package and confirm that you have all of the parts listed.

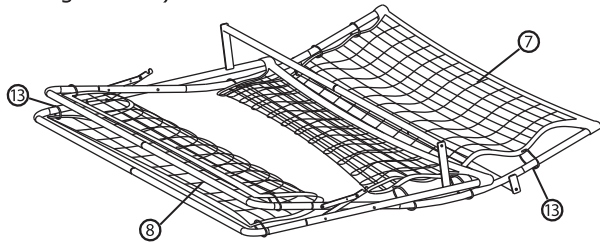
FRAME ASSEMBLY:

2) Assemble the frame according to the diagram to the right.



NET ASSEMBLY:

For steps 3 & 4, attach the nets and bungee cords to the frame in the folded position (see image below).



3) For the curved side of the frame, slide the corners of the netting (Part 7) onto the corners of the frame. Attach the bungee cords (Part 13) to the grommets on the netting (Part 7) and then to the frame to secure. The net should be very tight.

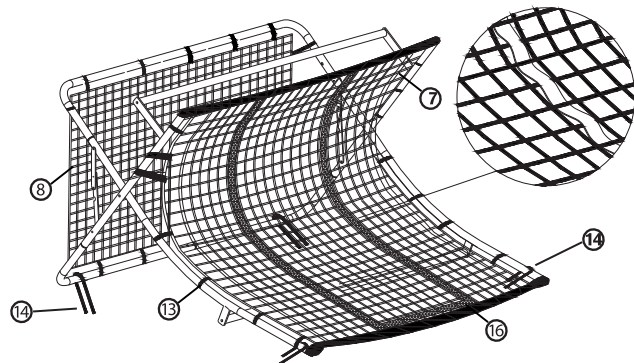
4) For the rebound side of the frame, attach the bungee cords (Part 13) to the grommets on the netting (Part 8) and then to the frame.

RIBBON AND STAKES ASSEMBLY:

Unfold frame for steps 5 & 6.

5) Weave the red ribbon through the netting as shown below to create a target strike zone area.

6) Use the ground stakes to secure and stabilize the item during play. Place the ground stakes on each of the four bottom corners of the frame. *Note: The ground stakes should attach to the frame only. Make sure that the netting is not caught in the ground stake.



FUNCTION:

The MLS X-Ramp has two sides designed for training.

Side 1: Curved Ramp

This side is designed to help train passing, trapping and heading by returning the ball in a controlled "looping" manner.

In order to achieve the looping effect, kick the ball toward the center of the trainer. The ball MUST remain on the ground and kicked with force. The curved design and the tension in the netting allow the ball to loop back to the player.



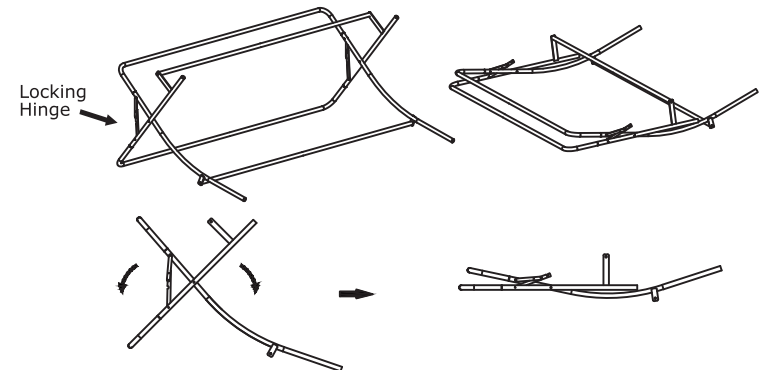
Side 2: Rebound Wall

This is designed to be used with one or multiple players. Kick the ball into the wall to practice "Give and go" training, one touch passing and trapping skills.



STORAGE:

To fold the unit for storage and travel, slide down the plastic guard on the locking hinges located on both sides of the frame. Unclip the latch to release and fold. See images below.



Note: Netting was removed to illustrate folding feature. The netting can remain on the product when folding for storage.