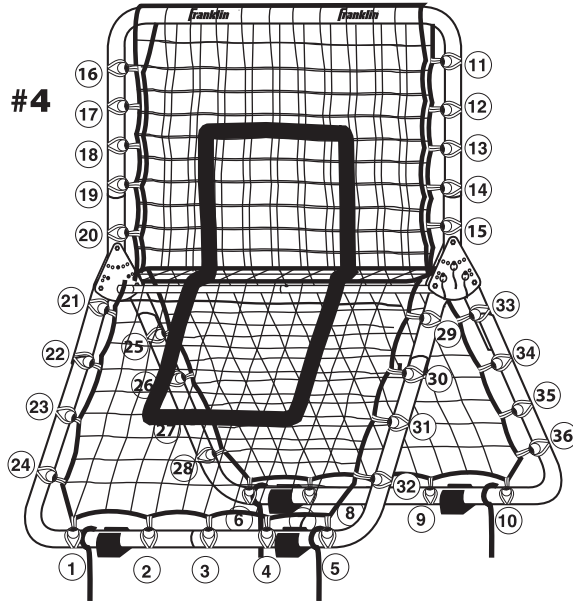


#### Step 4

Once frame is completed, attach bungees part (4) to net in sequence shown in diagram #4

**DIAGRAM #4**



#### Step 5

To attach bungees to net, hold plastic ball in place and wrap free end around net and side tube. Loop free bungee end around plastic ball.

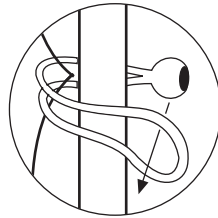
#### Step 6

Attach target ribbon (7) to net by weaving as shown in diagram #6. Target ribbon should be positioned in center of net and should be 18 net squares high by 12 net squares wide.

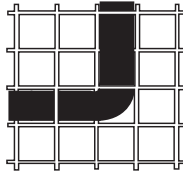
#### Step 7

To adjust angle of rebounder remove pin from part #3 on both sides of rebounder, place rebounder at desired angle and replace pins.  
**(CAUTION: Be careful when adjusting the angle, the poles will move when pins are not in place)**

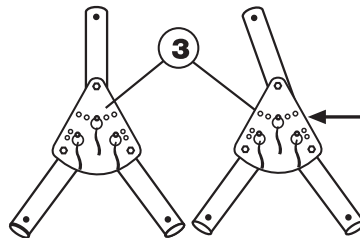
**DIAGRAM #5**



**DIAGRAM #6**

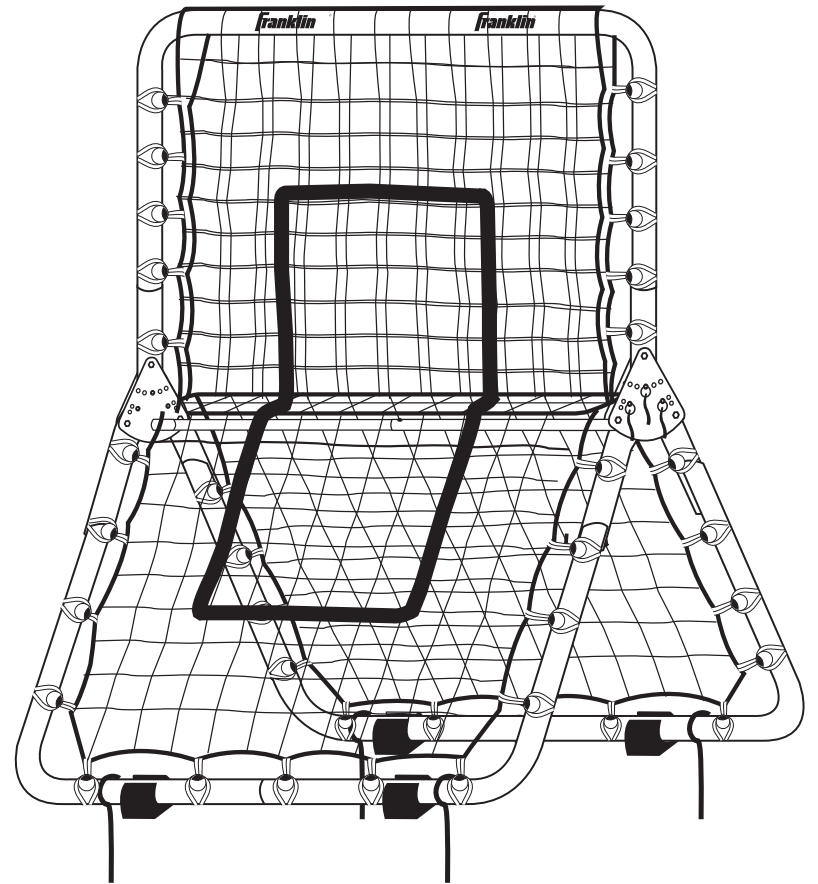


**DIAGRAM #7**



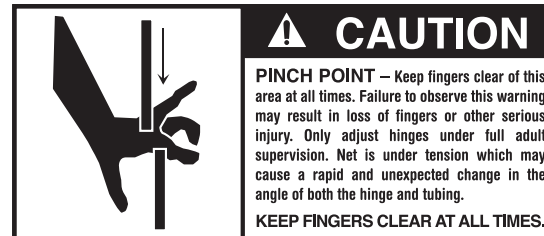
# Franklin®

## ITEM# 24807

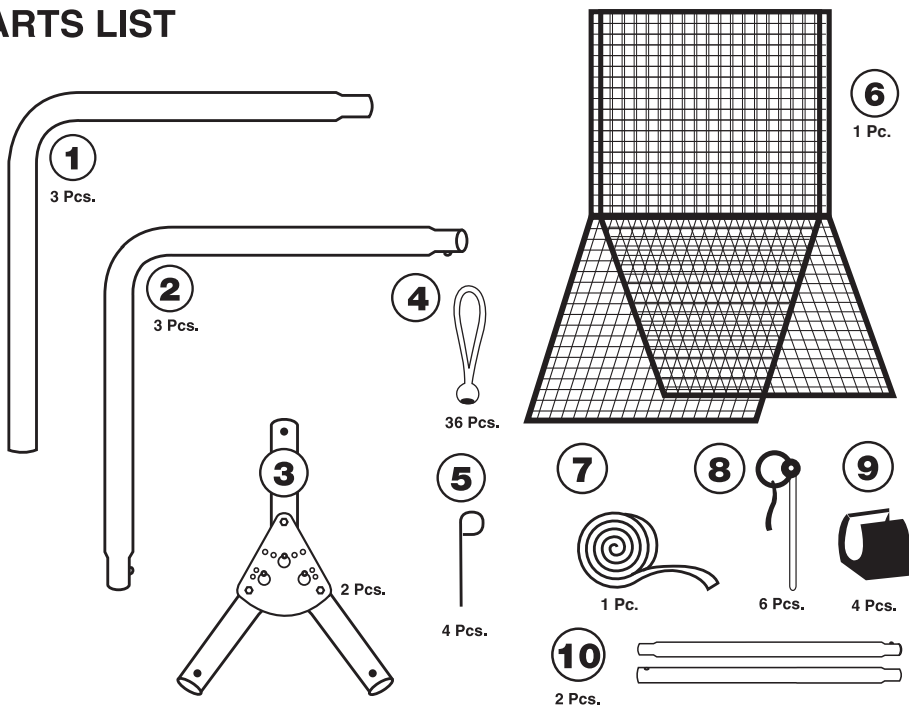


For Replacement Parts Call 1-800-225-8649  
MA Residents Call 1-781-341-5178

Franklin Sports Inc.  
Stoughton, MA 02072  
www.franklinsports.com  
Made in China



# PARTS LIST



## Replacement Parts

Part	Amount	Description	Replacement Part #
1	3 pcs	Corner Tube	24807-R1
2	3 pcs	Corner Tube	24807-R2
3	2 pcs	Hinge Mechanism	24807-R3
4	36 pcs	Bungees	1048F1Z4
5	4 pcs	Ground Stakes	2738Z3
6	1 pc	Net	2717F1Z6
7	1 pc	Strike Zone Ribbon	
8	6 pcs	Locking Pins	2717F1Z8
9	4 pcs	Blocks	
10	2 pcs	Support Tubes	24807-R4

## Step 1

Make three "U" shapes with tubing by placing part (1) into part (2). Make sure the end of part (2) with the letter "A" sticker is placed into part (1) with the letter "A" sticker. NOTE: One of each part (1) and (2) has a Franklin sticker, these should be assembled together. After you assemble part (1) and part (2) with Franklin stickers, slide the tubing through the top of the net.

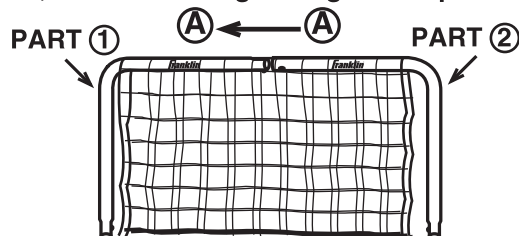
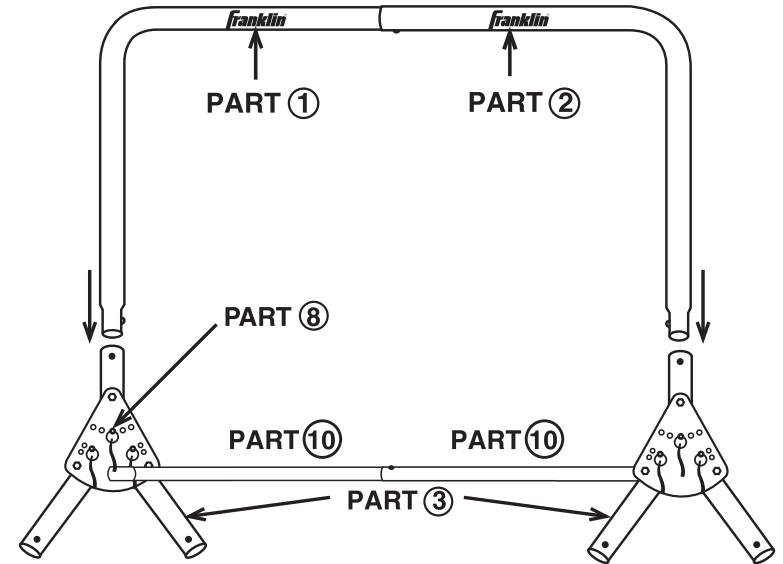


DIAGRAM #1

## Step 2

Place 6 locking pins (8) into part (3) to lock hinge into place. Now place top "U" shape into part (3). See diagram #2. Then secure part (10) to other part (10). Place part (10) in both ends of part (3) to secure the frame.

## DIAGRAM #2



## Step 3

Assemble both remaining "U" shaped bottoms as shown below. Be sure all ground stakes part (5) and blocks part (9) are properly placed as shown in diagram #3.

## DIAGRAM #3

