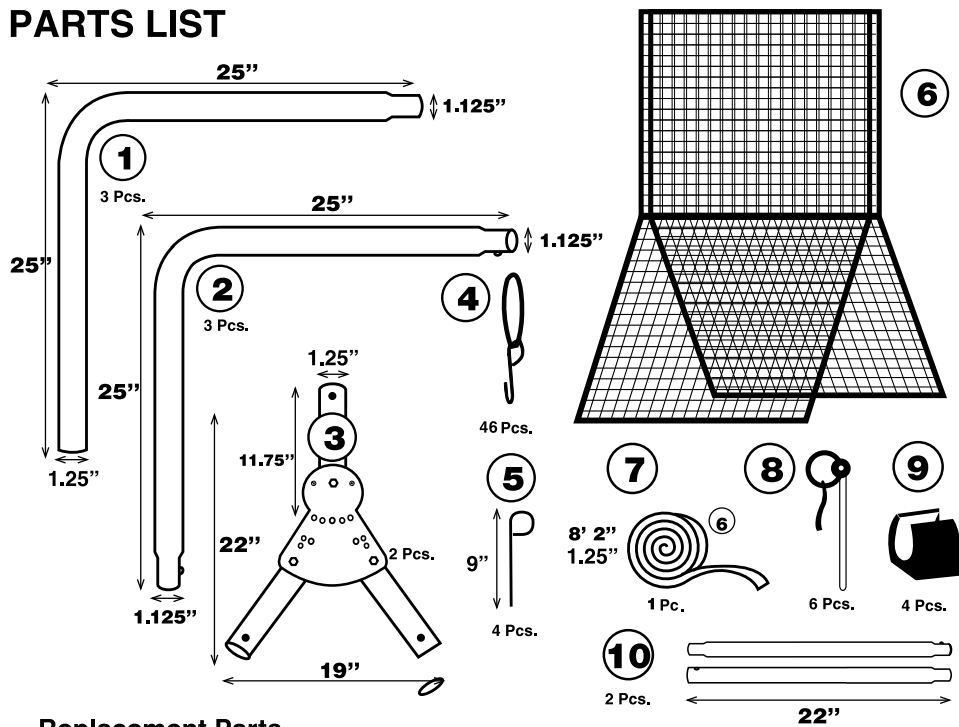


PARTS LIST



Replacement Parts

Part	Amount	Description	Replacement Part #
1	3 pcs	Corner Tube	2717F1Z1
2	3 pcs	Corner Tube	2717F1Z2
3	2 pcs	Hinge Mechanism	2717F1Z3
4	46 pcs	Bungees	2717F1Z4
5	4 pcs	Ground Stakes	2738Z3
6	1 pc	Net	2717F1Z6
8	6 pcs	Hinge Pins	2717F1Z8
9	4 pcs	Blocks	
10	2 pcs	Support Tubes	2717F1Z9

Step 1

Make three "U" shapes with tubing by placing part (1) into part (2). Make sure the end of part (2) with the letter "A" sticker is placed into part (1) with the letter "A" sticker. Note: One of each part (1) and (2) has a Franklin sticker, these should be assembled together. After you assemble part (1) and part (2) with Franklin stickers, slide the tubing through the top of the net.

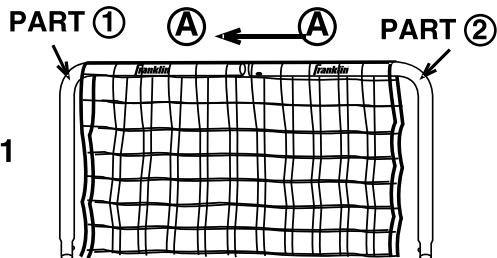
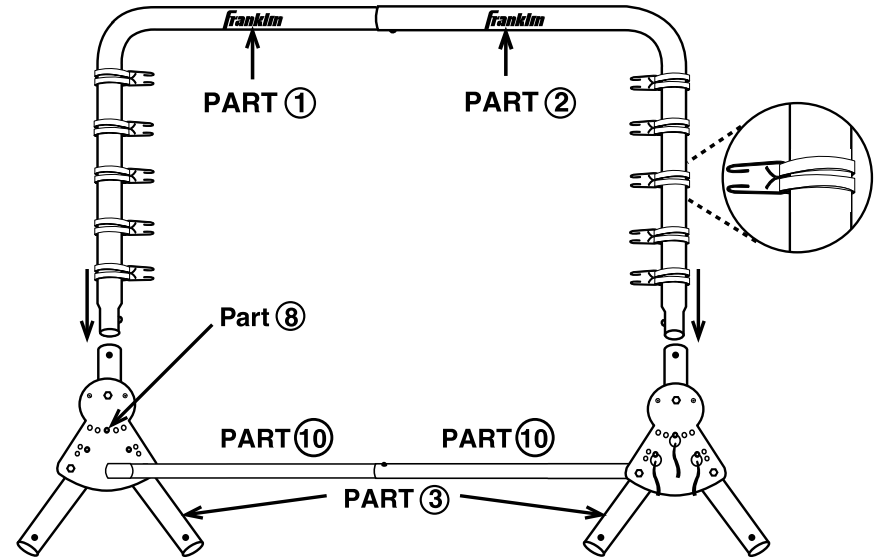


DIAGRAM #1

Step 2

Place 10 bungees, part (4), on one side of top tubing with Franklin stickers, and then another 10 bungees, part (4) on opposite side as shown. Place 6 locking pins (8) into part (3) to lock hinge in place. Now place top "U" shape into part (3). See diagram #2. Then secure part (10) to other part (10). Place part (10) in both ends of part (3) to secure frame.

DIAGRAM #2



Step 3

Assemble both remaining "U" shaped bottoms by adding bungees part (4) and ground stakes part (5), and blocks part (9). Be sure all bungees and ground stakes are properly placed as shown in diagram #3.

DIAGRAM #3

