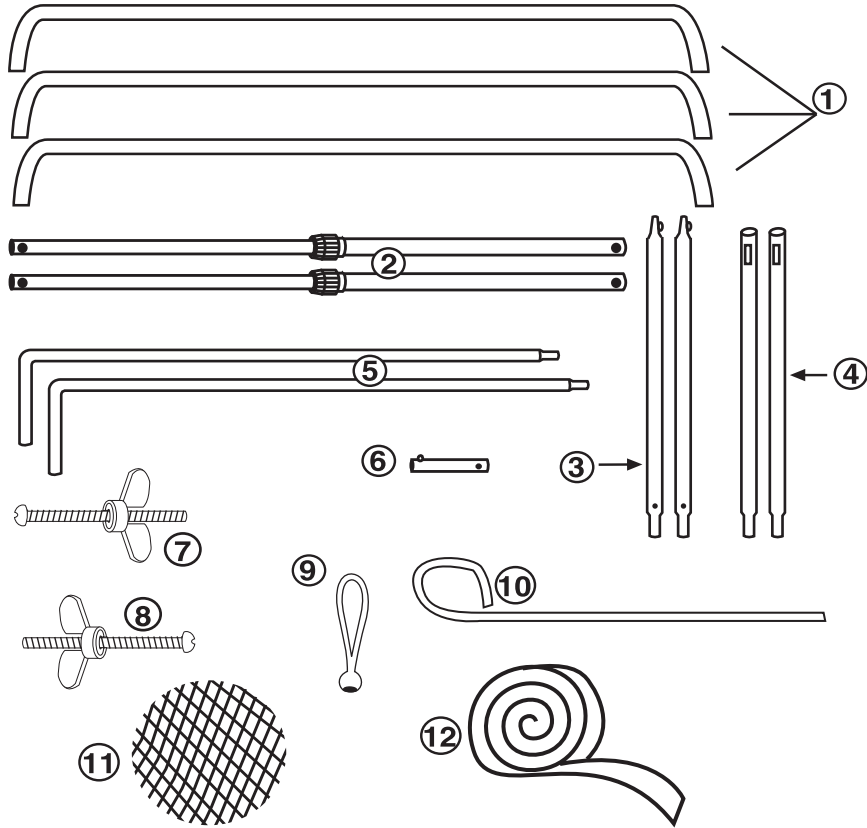


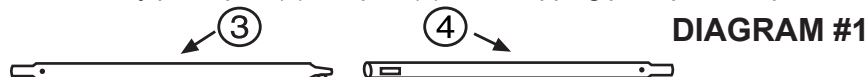
Replacement Parts



Part	Amount	Description	Replacement Part #
1	3 pcs	44in U-Shaped Tubes	2770Z9
2	2 pcs	Adjustable Tube	2770Z11
3	2 pcs	26in Straight Tubes	2770Z3
4	2 pcs	26in Straight Tubes	2770Z4
5	2 pcs	34in L-Shaped Tubes	2770Z5
6	2 pcs	3.5in Straight Tubes	2770Z6
7	4 pcs	2in Butterfly Screws	2770Z7
8	2 pcs	2 3/8in Butterfly Screws	2770Z8
9	22 pcs	Bungees	2770Z12
10	4 pcs	Ground Stakes	
11	1 pc	Net	2770Z2

Step 1:

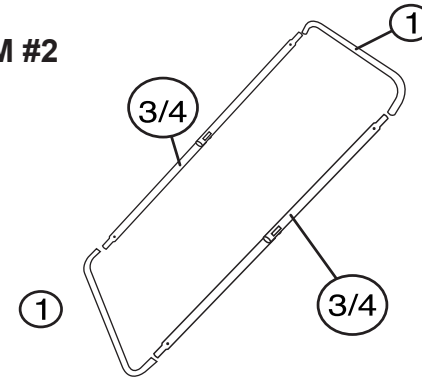
Make net frame side by place part (3) into part (4) and snapping push pins into place.



Step 2:

To make the frame for the net place a side pole from step 1 into the open end of part (1). Take the second side pole from step 1, and place into the other open end. Now attach part (1) to the two open ends of the slide poles to complete the frame.

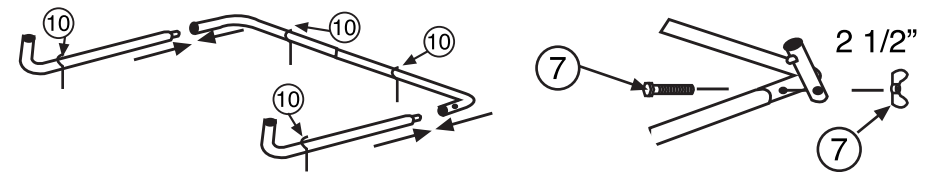
DIAGRAM #2



Step 3:

To make the base, use the third "U" shape tube, part (1), and place part (5) into one of the open ends. Slide 4 ground stakes, part (10), onto assembly. Position ground stakes as shown. Repeat on other side. Next, attach side supports, part (6), to the base on the outside of the "U" shaped tubing. Make sure the pre-drilled holes are lined up on the "U" shaped tubing and part (5) before attaching part (6). Attach by using bolt and wing nut part (7). Repeat on other side.

DIAGRAM #3



Step 4:

To attach the net frame to the base assembly, take the net frame and place it between the open end of the base. Line up the pre-drilled holes on the net frame to part (5) on the base assembly and attach by using bolt and wing nut part (8) on both sides. Next, use part (2) and attach to the top outside of the net frame where pre-drilled holes are. Make sure the pre-drilled holes are lined up on the "U" shaped tubing and attach the narrower end of part (2) to the top of the net frame using part (7).

DIAGRAM #4

