

**Franklin<sup>®</sup>**



RUBBER

# BATTING TEE

ITEM NUMBER: **2776**



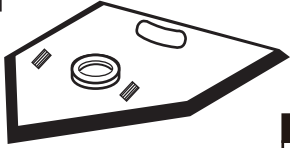
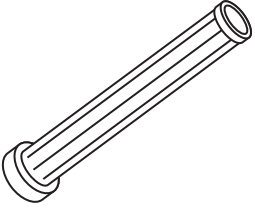
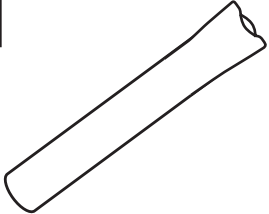
Made In China  
Franklin Sports Inc.  
Stoughton, MA 02072

For replacement parts:  
Visit: [www.franklinsports.com/2776](http://www.franklinsports.com/2776)  
Email: [parts@franklinsports.com](mailto:parts@franklinsports.com)  
Call: 1-800-225-8649

**Franklin<sup>®</sup>**

**NOTE: PRINT FRONT TO BACK**

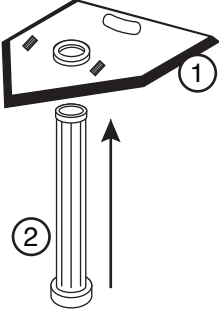


## PARTS LIST

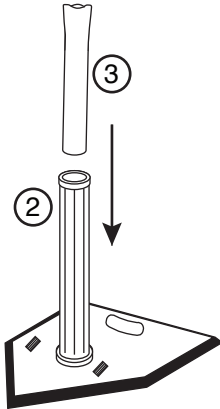

<p><b>1</b></p>  <p><b>QTY</b> <b>x1</b></p>	<p><b>2</b></p>  <p><b>QTY</b> <b>x1</b></p>
<p><b>Base</b> Rep. Part: 2776-R1</p>	<p><b>Lower Tube</b> Rep. Part: 2776-R2</p>
<p><b>3</b></p>  <p><b>QTY</b> <b>x1</b></p> <p><b>Ball Holder</b> Rep. Part: 2776-R3</p>	

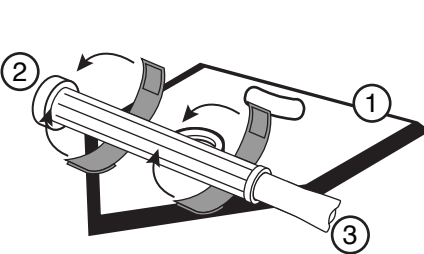



## ASSEMBLY INSTRUCTIONS

### GENERAL NOTES

- Remove all parts from the display box to ensure that you have all of the parts listed.

<p><b>STEP 1</b></p> 	<p><b>PARTS</b></p> <p>1  x1</p> <p>2  x1</p>	<p><b>NOTE</b></p> <p>Insert <b>Lower Tube</b> (#2) through the hole in the bottom of the <b>Base</b> (#1).</p>
--	---	---

<p><b>STEP 2</b></p> 	<p><b>PARTS</b></p> <p>2  x1</p> <p>3  x1</p>	<p><b>NOTE</b></p> <p>Insert <b>Ball Holder</b> (#3) into <b>Lower Tube</b> (#2) and adjust to preferred height.</p>
--	---	--

<p><b>STORAGE</b></p> 	<p><b>PARTS</b></p> <p>1  x1</p> <p>2  x1</p> <p>3  x1</p>	<p><b>NOTE</b></p> <p>Wrap storage straps (pre-installed) around <b>Connected Tubing</b> (#2 &amp; #3) for easy storage.</p>
---	---	--

# YOU ARE NOW READY TO PLAY!