

franklin[®]

QUIKSET[®]

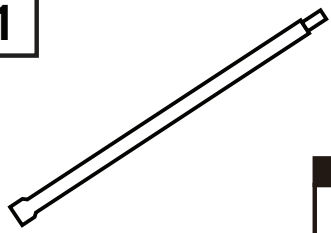
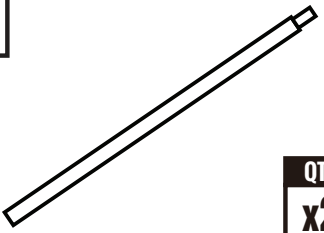
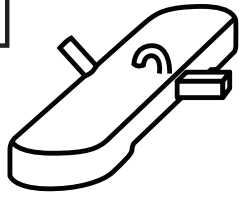
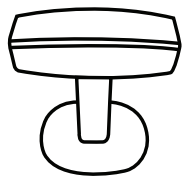
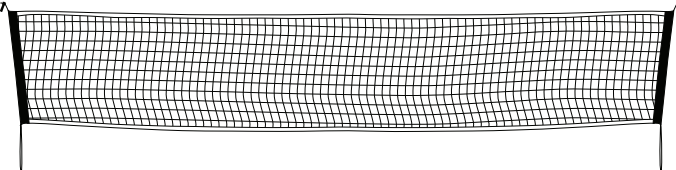
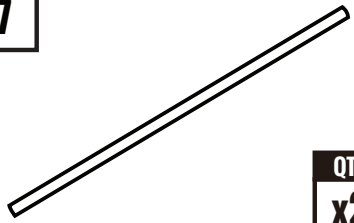
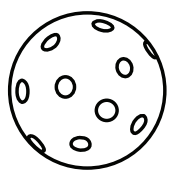
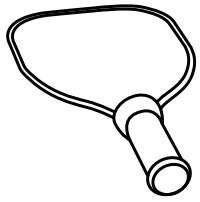
PICKLEBALL PRO NET SET

ITEM NUMBER: **52550**

www.franklinsports.com/52550



PARTS LIST

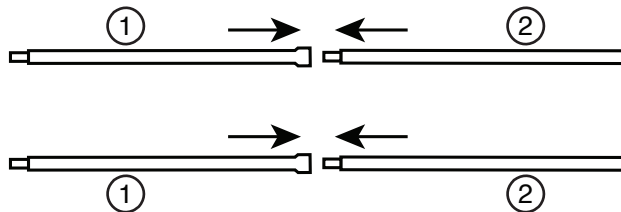
<p>1</p>  <p>QTY x2</p>	<p>2</p>  <p>QTY x2</p>	<p>3</p>  <p>QTY x2</p>
<p>Middle Tubes Outer Tubes End Joints</p>		
<p>4</p>  <p>QTY x1</p>	<p>5</p>  <p>QTY x1</p>	
<p>Middle Joint Net</p>		
<p>7</p>  <p>QTY x2</p>	<p>8</p>  <p>QTY x1</p>	<p>9</p>  <p>QTY x2</p>
<p>Tension Poles Ball Paddles</p>		

ASSEMBLY INSTRUCTIONS



GENERAL NOTE

1. Find a clean, level place to begin the assembly of your Pickleball Net.
We recommend that two adults work together to assemble this Pickleball Net.
2. Remove all the parts from the box and verify that you have all of the listed parts as shown on the parts list page.

STEP 1



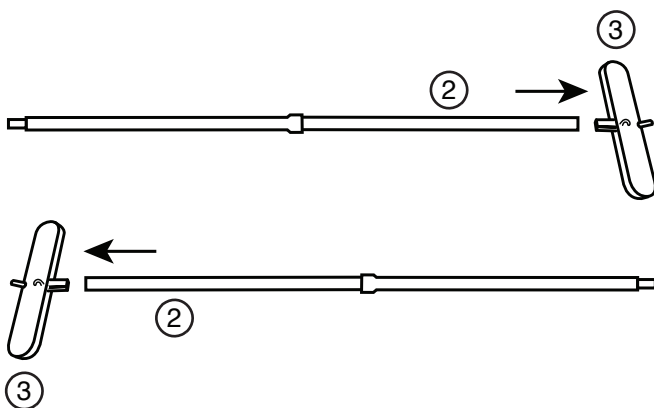
PARTS

- | | | |
|---|--|----|
| 1 |  | x2 |
| 2 |  | x2 |

NOTE

Connect the **Middle Tubes (#1)** to the **Outer Tubes (#2)**.

STEP 2



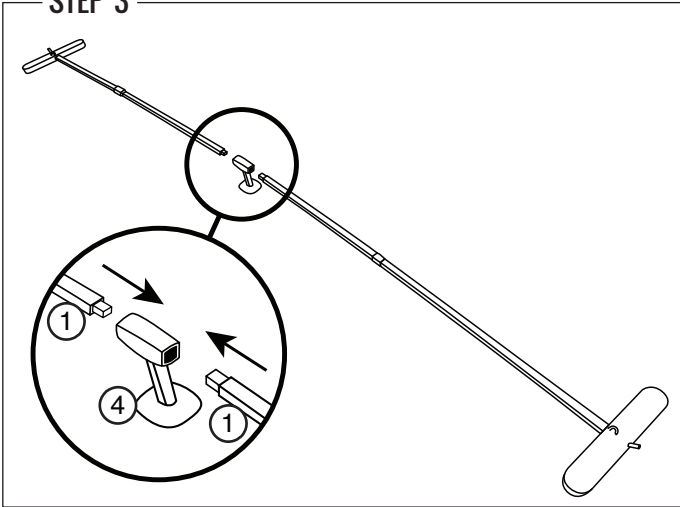
PARTS

- | | | |
|---|--|----|
| 3 |  | x2 |
|---|--|----|

NOTE

Connect the **End Joints (#3)** to the **Outer Tubes (#2)**.

STEP 3



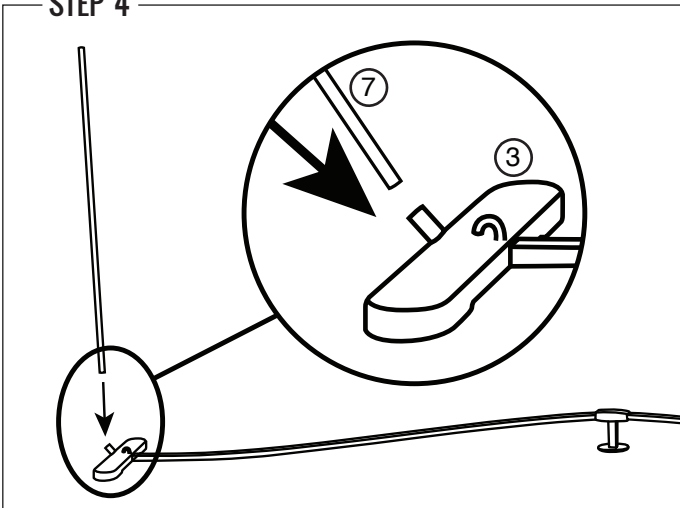
PARTS

4  x1

NOTE

Connect the **Middle Tubes (#1)** to the **Middle Joint (#4)**.

STEP 4



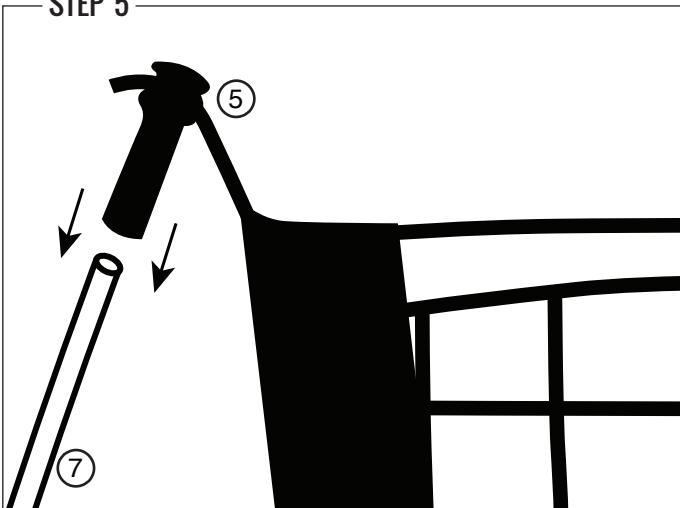
PARTS

7  x2

NOTE

Slide the **Tension Poles (#7)** into the **End Joints (#3)**.

STEP 5



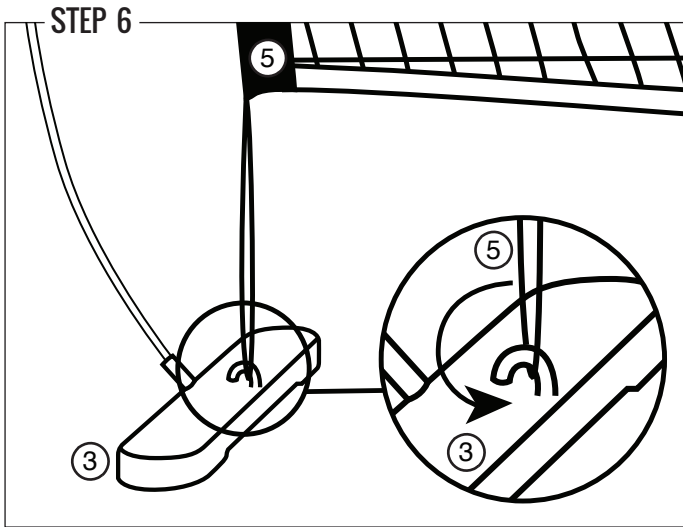
PARTS

5  x1

7  x2

NOTE

Slide the cap at the top of the **Net (#5)** onto the **Tension Poles (#7)**.



PARTS

5  x1

NOTE

Hook the bottom of the **Net (#5)** to the **End Joints (#3)**.

YOU ARE NOW READY TO PLAY!

Made In China
Franklin Sports Inc.
Stoughton, MA 02072

franklin[®]

For replacement parts:
Visit: www.franklinsports.com/52550
Email: replacementparts@franklinsports.com
Call: 1-800-225-8649