

Franklin[®]

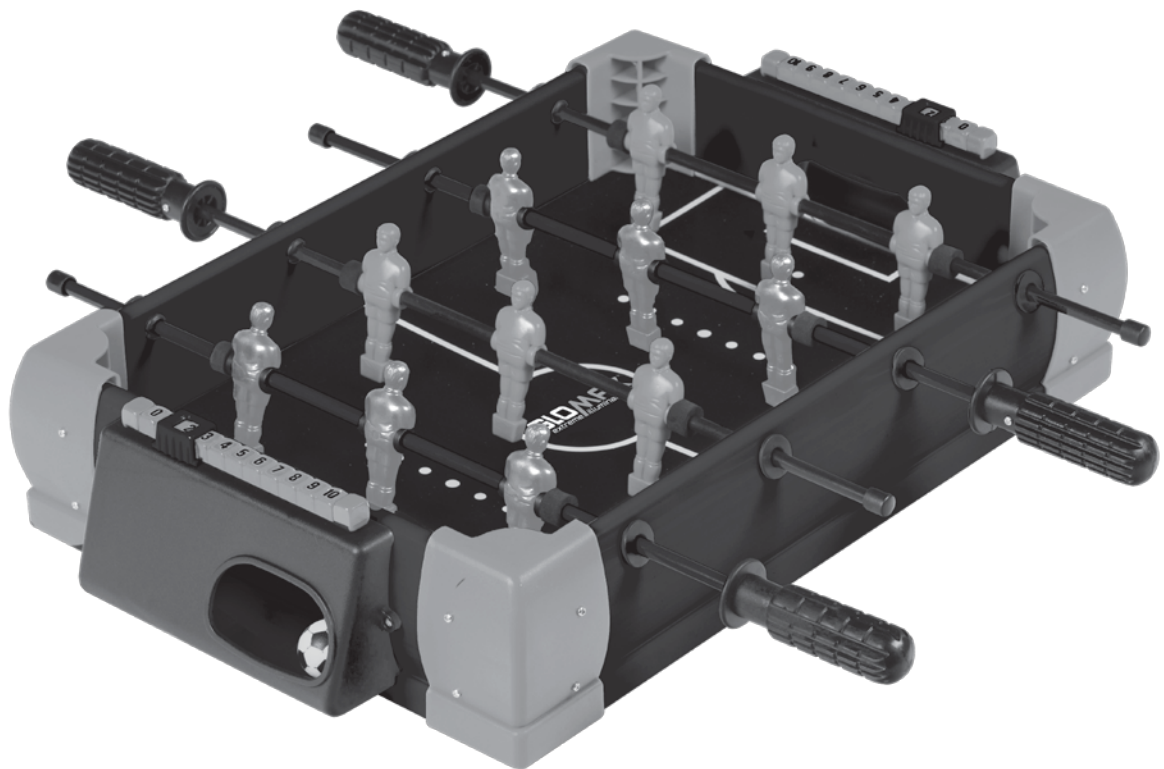
AGES 6+

GLOMAX[®]

PRO KICK FOOSBALL

ITEM NUMBER: **54068**

For all your replacement part needs, please visit:
www.franklinsports.com/54068




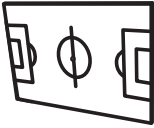


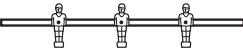









WARNING:

CHOKING HAZARD-- Toy contains small balls and small parts. Not for children under 3 yrs. Adult assembly required.

Made In China
Franklin Sports Inc.
Stoughton, MA 02072

PARTS LIST

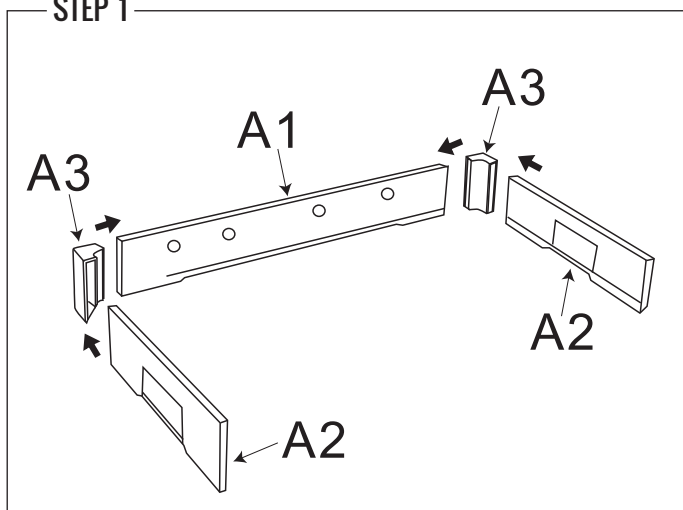
<p>A1</p>  <p>QTY x2</p> <p>Side Aprons</p> <p>Rep. Part: 54068-R1</p>	<p>A2</p>  <p>QTY x2</p> <p>End Aprons</p> <p>Rep. Part: 54068-R2</p>	<p>A3</p>  <p>QTY x4</p> <p>Support Braces</p> <p>Rep. Part: 54068-R3</p>
<p>A4</p>  <p>QTY x1</p> <p>Soccer Field</p> <p>Rep. Part: 54068-R4</p>	<p>A5</p>  <p>QTY x2</p> <p>Ball Returns</p> <p>Rep. Part: 54068-R5</p>	<p>A6</p>  <p>QTY x2</p> <p>Scorers</p> <p>Rep. Part: 54068-R6</p>
<p>A7</p>  <p>QTY x2</p> <p>Green Player Rods</p> <p>Rep. Part: 54068-R7</p>	<p>A8</p>  <p>QTY x2</p> <p>Blue Player Rods</p> <p>Rep. Part: 54068-R8</p>	<p>B1</p>  <p>QTY x2</p> <p>Foosballs</p> <p>Rep. Part: 54068-R9</p>
<p>B2</p>  <p>QTY x4</p> <p>Handles</p> <p>Rep. Part: 54068-R10</p>	<p>B3</p>  <p>QTY x4</p> <p>Caps</p> <p>Rep. Part: 54068-R11</p>	<p>B4</p>  <p>QTY x20</p> <p>Small Screws</p> <p>Rep. Part: 54068-R12</p>
<p>B5</p>  <p>QTY x4</p> <p>Large Screws</p> <p>Rep. Part: 54068-R13</p>	<p>B6</p>  <p>QTY x1</p> <p>Screwdriver</p> <p>Rep. Part: 54068-R14</p>	

ASSEMBLY INSTRUCTIONS

GENERAL NOTE

1. Find a clean place to begin the assembly of your GLOMAX® Pro Kick Foosball Game.
2. Remove all the parts from the box and verify that you have all of the listed parts as shown on the parts list page.

STEP 1



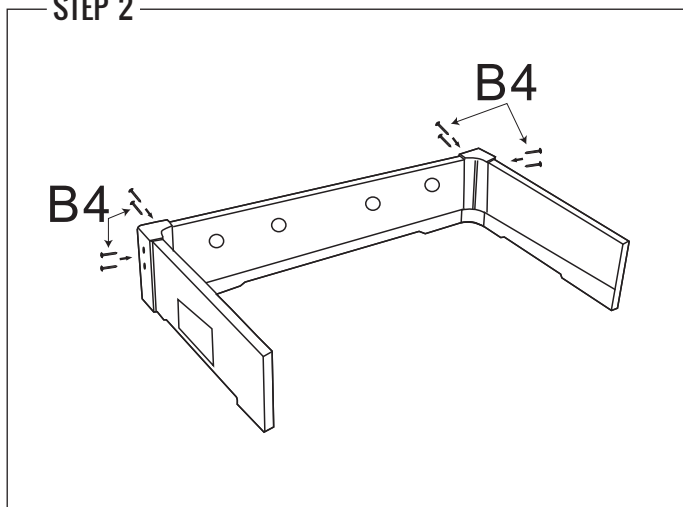
PARTS

A1		x1
A2		x2
A3		x2

NOTE

Slide the Side Apron (A1) and End Aprons (A2) into the Support Braces (A3).

STEP 2



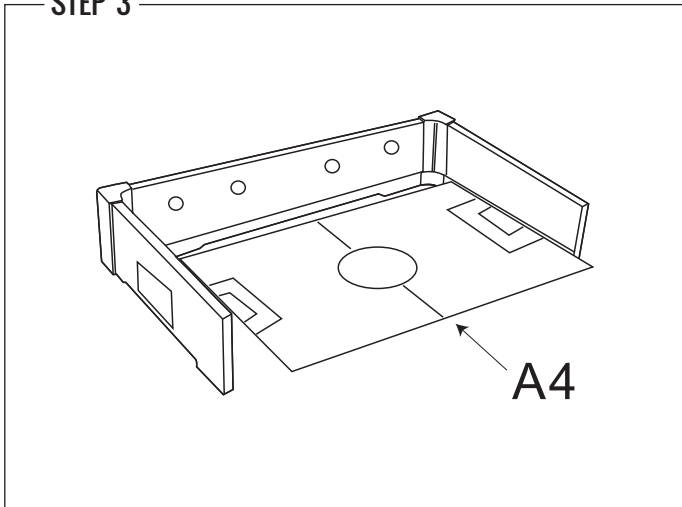
PARTS

B4		x8
----	--	----

NOTE

Use Small Screws (B4) to secure the aprons to the Support Braces (A3).

STEP 3



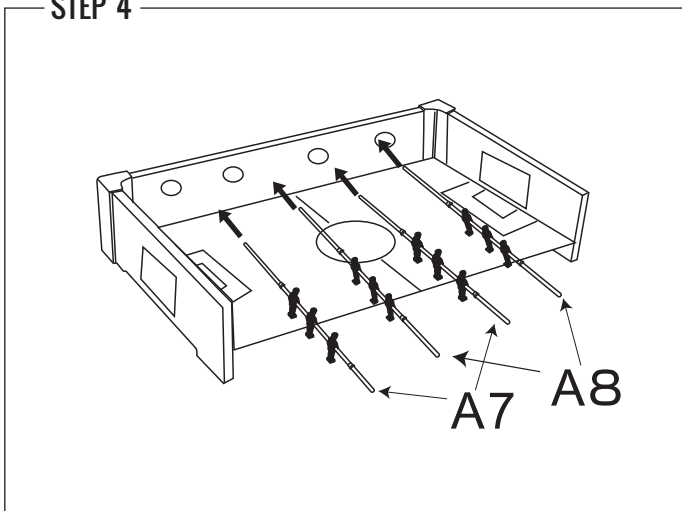
PARTS

A4  x1

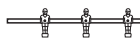
NOTE

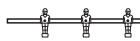
Slide the Soccer Field (**A4**) into the grooves.

STEP 4



PARTS

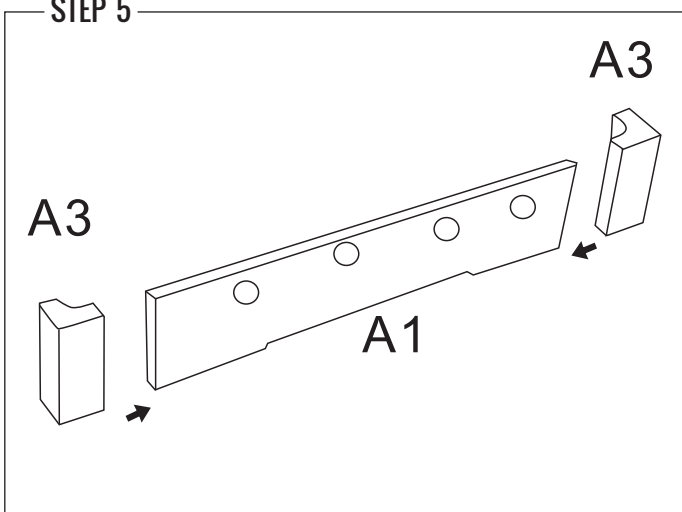
A7  x2

A8  x2

NOTE

Slide the Green Player Rods (**A7**) and the Blue Player Rods (**A8**) into the holes in the Side Apron (**A1**).

STEP 5



PARTS

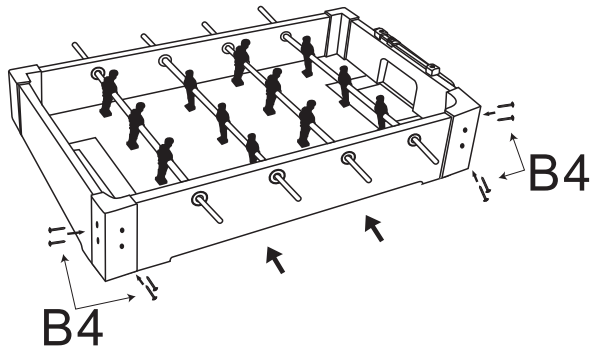
A1  x1

A3  x2

NOTE

Slide the remaining Side Apron (**A1**) into the remaining Support Braces (**A3**).

STEP 6



PARTS

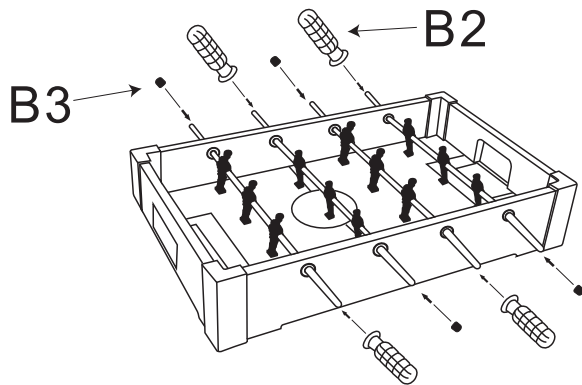
B4  x8

NOTE

Slide the End Aprons (A2) into the Support Braces (A3).

Use Small Screws (B4) to secure the aprons to the Support Braces (A3).

STEP 7



PARTS

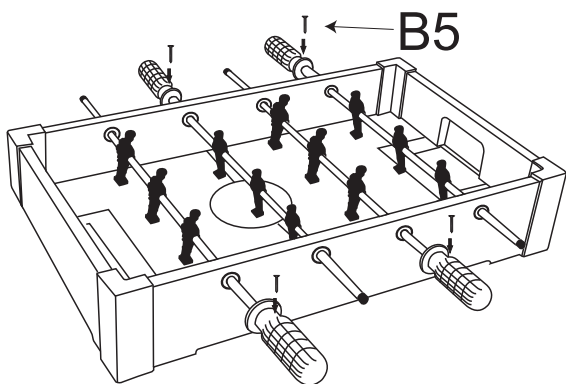
B2  x4

B3  x4

NOTE

Slip the Handles (B2) and the Caps (B3) onto the ends of the player rods.

STEP 8



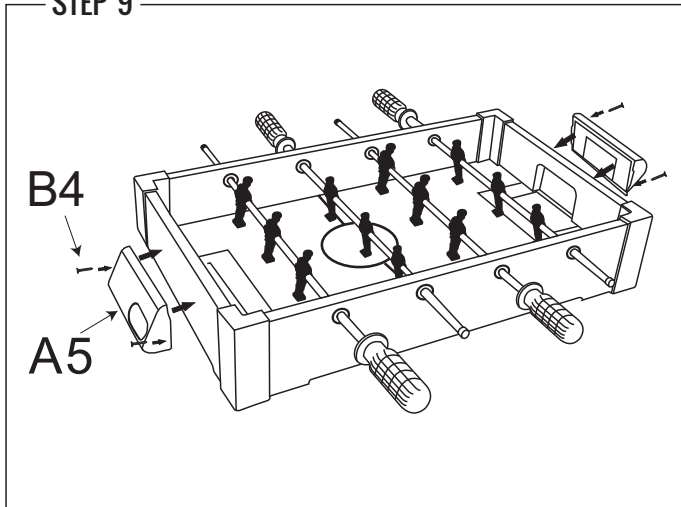
PARTS

B5  x4



NOTE

Use Large Screws (B5) to secure the Handles (B2) to the rods.

STEP 9



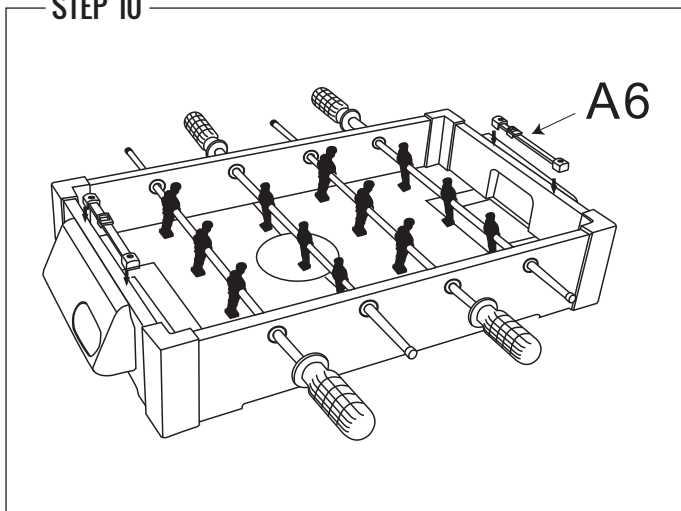
PARTS

A5		x2
B4		x4

NOTE

Use Small Screws (B4) to secure the Ball Returns (A5) to the End Aprons (A2).

STEP 10



PARTS

A6		x2
----	--	----

NOTE

Insert the Scorers (A6) into the holes on top of the Ball Returns (A5).

YOU ARE NOW READY TO PLAY!