

AGES 8+

Franklin[®]

QUIKSET[®]

54IN (137CM) AIR HOCKEY

ITEM NUMBER: **54079**

For all your replacement part needs, please visit:
www.franklinsports.com/54079



⚠ CAUTION-ELECTRICALLY OPERATED PRODUCT.

NOT RECOMMENDED FOR CHILDREN UNDER 6 YEARS OF AGE. AS WITH ALL ELECTRIC PRODUCTS, PRECAUTIONS SHOULD BE OBSERVED DURING HANDLING AND USE TO PREVENT ELECTRIC SHOCK.

INPUT: 120V AC/60Hz/11W OUTPUT: 12V DC/500mA

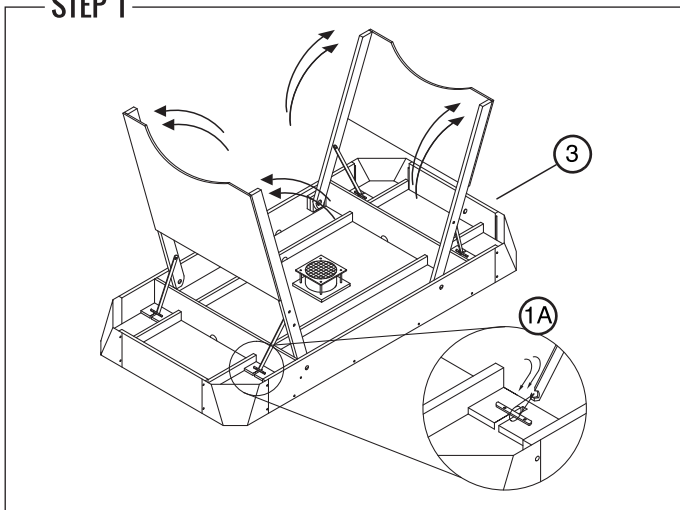
⚠ WARNING:
CHOKING HAZARD--Small parts.
Not for children under 3 yrs.
Adult assembly required.

ASSEMBLY INSTRUCTIONS

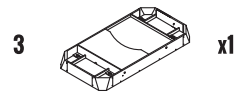
GENERAL NOTE

1. Find a clean, level place to begin the assembly of your Air Hockey table. We recommend that two adults work together to assemble this hockey table.
2. Remove all parts from the box and verify that you have all of the listed parts as shown on the parts list page. Carefully cut or tear the four corners of the box so that the bottom of the box can be used as your work surface.

STEP 1



PARTS

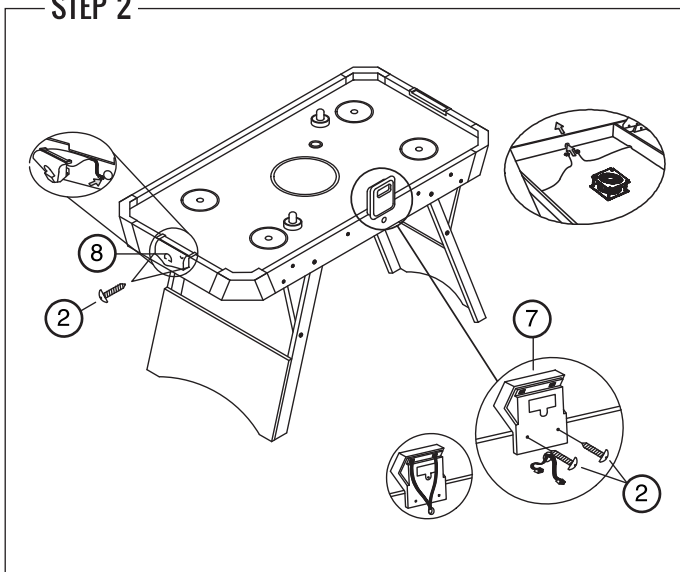


NOTE

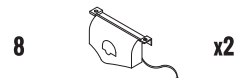
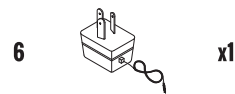
Unfold legs.

Lock hinges in metal brackets as shown in Figure 1A.

STEP 2



PARTS



NOTE

Attach **Puck Returns** (#8) using **Screws** (#2).

Attach **Electronic Scorer** (#7) using **Screws** (#2).

Plug in **Power Adaptor** (#6).

NOTE

Requires 2 "AAA" size batteries (not included).
Do not mix old and new batteries.
Do not mix alkaline, standard (carbon-zinc), or rechargeable (nickel-cadmium) batteries.

YOU ARE NOW READY TO PLAY!

CHANGES OR MODIFICATIONS NOT EXPRESSLY APPROVED BY THE PARTY RESPONSIBLE FOR COMPLIANCE COULD VOID THE USER'S AUTHORITY TO OPERATE THE EQUIPMENT.

NOTE: THE EQUIPMENT HAS BEEN TESTED AND FOUND TO COMPLY WITH THE LIMITS FOR A CLASS B DIGITAL DEVICE; PURSUANT TO PART 15 OF THE FCC RULES. THESE LIMITS ARE DESIGNED TO PROVIDE REASONABLE PROTECTION AGAINST HARMFUL INTERFERENCE IN A RESIDENTIAL INSTALLATION. THIS EQUIPMENT GENERATES, USES AND CAN RADIATE RADIO FREQUENCY ENERGY AND, IF NOT INSTALLED AND USED IN ACCORDANCE WITH THE INSTRUCTIONS, MAY CAUSE HARMFUL INTERFERENCE TO RADIO COMMUNICATIONS. HOWEVER, THERE IS NO GUARANTEE THAT INTERFERENCE WILL NOT OCCUR IN A PARTICULAR INSTALLATION. IF THIS EQUIPMENT DOES CAUSE HARMFUL INTERFERENCE TO RADIO OR TELEVISION RECEPTION, WHICH CAN BE DETERMINED BY TURNING THE EQUIPMENT OFF AND ON, THE USER IS ENCOURAGED TO TRY TO CORRECT THE INTERFERENCE BY ONE OR MORE OF THE FOLLOWING MEASURES:

- REORIENT OR RELOCATE THE RECEIVING ANTENNA.
- INCREASE THE SEPARATION BETWEEN THE EQUIPMENT AND RECEIVER.
- CONNECT THE EQUIPMENT INTO AN OUTLET ON A CIRCUIT DIFFERENT FROM THAT TO WHICH THE RECEIVER IS CONNECTED.
- CONSULT THE DEALER OR AN EXPERIENCE RADIO/TV TECHNICIAN FOR HELP.

Note: A product examination should be done periodically by an adult for potentially hazardous parts that may need to be repaired or replaced.