

**Franklin**<sup>®</sup>

AGES 8+

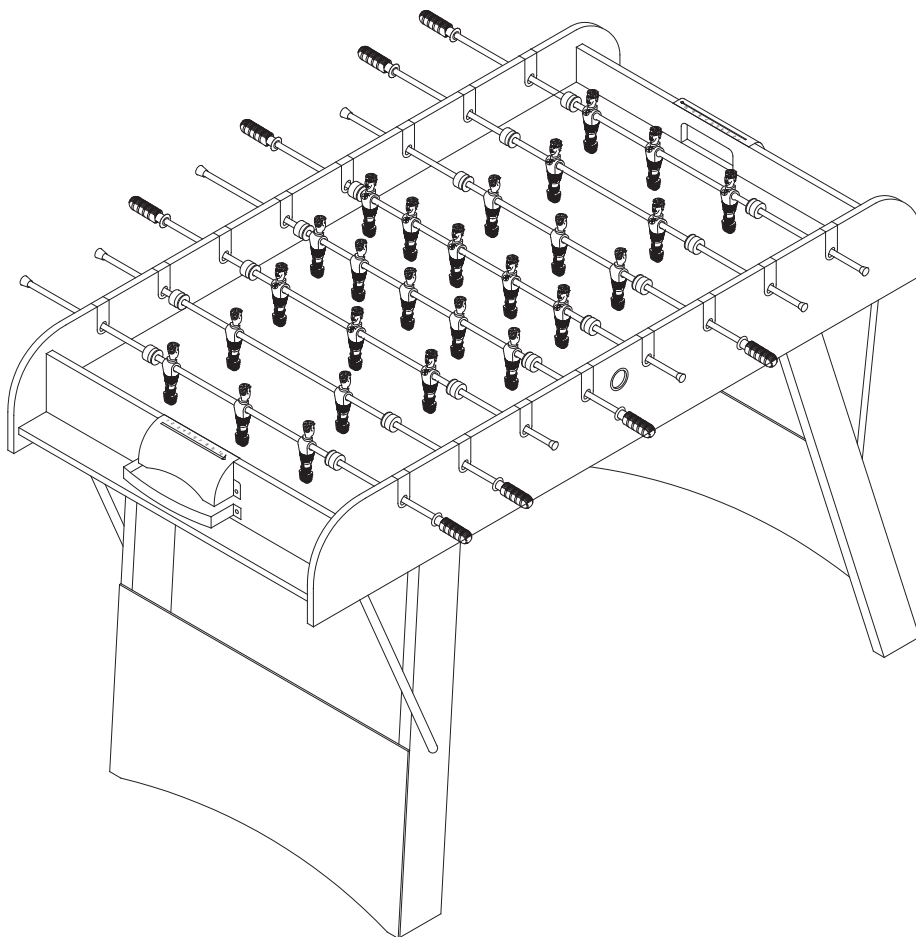
QUIKSET<sup>®</sup>

# 54 IN (137 CM) FOOSBALL GAME

ITEM NUMBER: **54087X**

For all your replacement part needs, please visit:  
[www.franklinsports.com/54087X](http://www.franklinsports.com/54087X)

Please visit  
[www.franklinsports.com/54087X](http://www.franklinsports.com/54087X)  
for instructional video

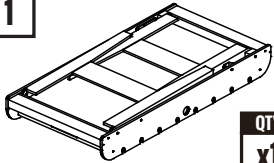
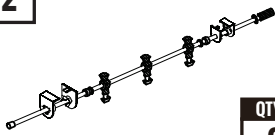
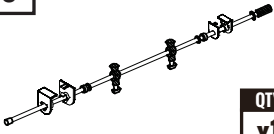
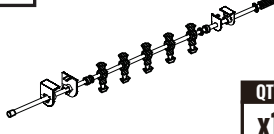
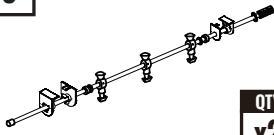
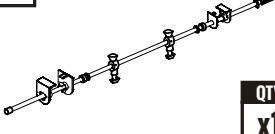
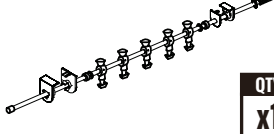
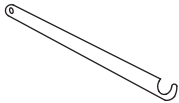

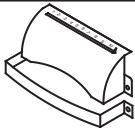


## WARNING:

CHOKING HAZARD-- Product contains small balls and small parts. Not for children under 3 yrs. Adult assembly required.

Made In China  
Franklin Sports Inc.  
Stoughton, MA 02072

# PARTS LIST

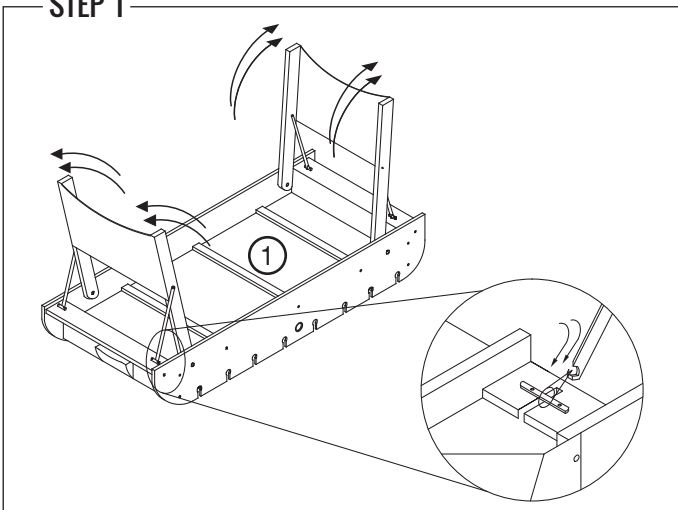
<p><b>1</b></p>  <p>QTY <b>x1</b></p> <p>Table</p> <p>Rep. Part: 54087X-R1</p>	<p><b>2</b></p>  <p>QTY <b>x2</b></p> <p>3-Man Rods (Black Team)</p> <p>Rep. Part: 54087X-R2</p>	<p><b>3</b></p>  <p>QTY <b>x1</b></p> <p>2-Man Rod (Black Team)</p> <p>Rep. Part: 54087X-R3</p>	<p><b>4</b></p>  <p>QTY <b>x1</b></p> <p>5-Man Rod (Black Team)</p> <p>Rep. Part: 54087X-R4</p>
<p><b>5</b></p>  <p>QTY <b>x2</b></p> <p>3-Man Rods (Blue Team)</p> <p>Rep. Part: 54087X-R5</p>	<p><b>6</b></p>  <p>QTY <b>x1</b></p> <p>2-Man Rods (Blue Team)</p> <p>Rep. Part: 54087X-RP6</p>	<p><b>7</b></p>  <p>QTY <b>x1</b></p> <p>5-Man Rods (Blue Team)</p> <p>Rep. Part: 54087X-RP7</p>	<p><b>8</b> PRE-INSTALLED</p>  <p>QTY <b>x4</b></p> <p>Folding Hinge</p> <p>Rep. Part: 54087X-RP8</p>
<p><b>9</b></p>  <p>QTY <b>x2</b></p> <p>Foosballs</p> <p>Rep. Part: 54087X-RP9</p>	<p><b>10</b> PRE-INSTALLED</p>  <p>QTY <b>x2</b></p> <p>Molded Goal</p> <p>Rep. Part: 54087X-RP10</p>		

# ASSEMBLY INSTRUCTIONS

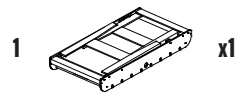
## GENERAL NOTE

1. Find a clean, level place to begin the assembly of your Foosball Table.  
We recommend that two adults work together to assemble this Foosball Table.
2. Remove all the parts from the box and verify that you have all of the listed parts as shown on the parts list page. Carefully cut or tear the four corners of the box so that the bottom of the box can be used as your work surface.

## STEP 1



## PARTS



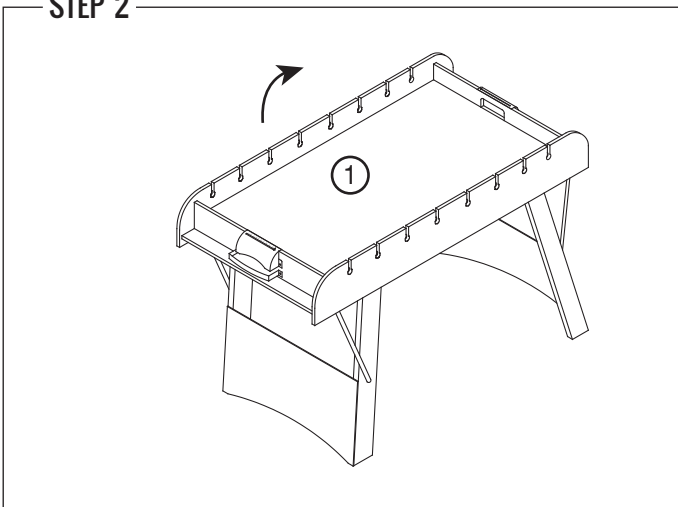
## NOTE

Unfold legs on Table (#1) and lock into place.

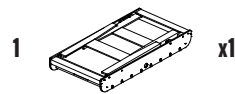


**CAUTION:**  
PINCH HAZARD! KEEP HANDS CLEAR.

## STEP 2



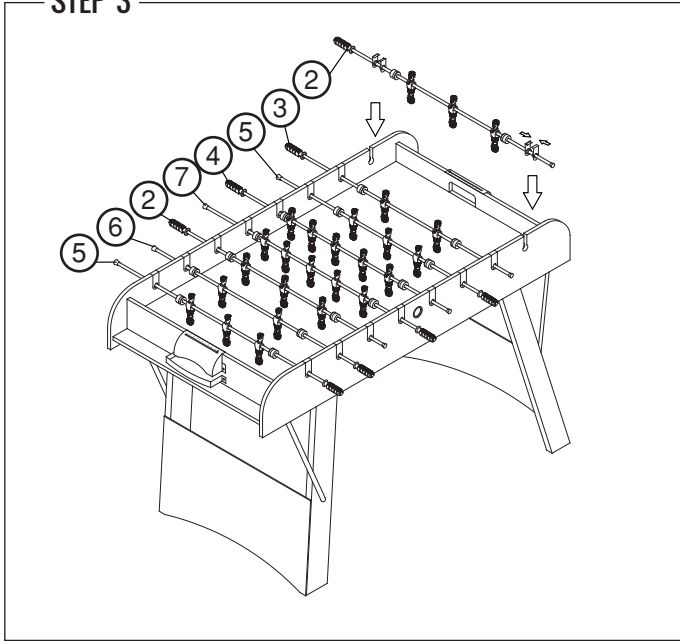
## PARTS



## NOTE

Two adults should turn table over to a standing position.

### STEP 3



### PARTS

2		x2
3		x1
4		x1
5		x2
6		x1
7		x1

### NOTE

Attach **Player Rods** (#2, #3, #4, #5, #6, #7) in the order as shown. Be sure players are facing the proper direction before pushing down and snapping into place.

# YOU ARE NOW READY TO PLAY!