

Franklin[®]

EASY ASSEMBLY

48 IN (122 CM) FOOSBALL GAME

ITEM NUMBER: **54093X**

For all your replacement part needs, please visit:
www.franklinsports.com/54093X

Please visit
www.franklinsports.com/54093X
for instructional video

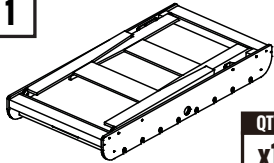
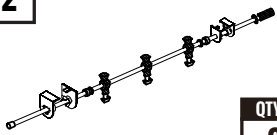
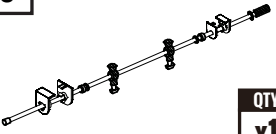
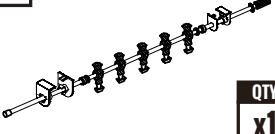
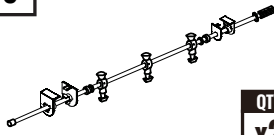
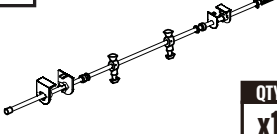
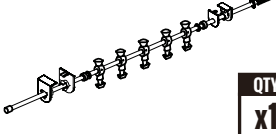

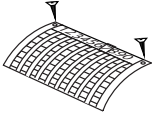
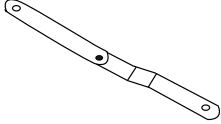
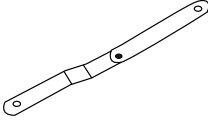


WARNING:

CHOKING HAZARD-- Product contains small balls and small parts. Not for children under 3 yrs. Adult assembly required.

Made In China
Franklin Sports Inc.
Stoughton, MA 02072

PARTS LIST

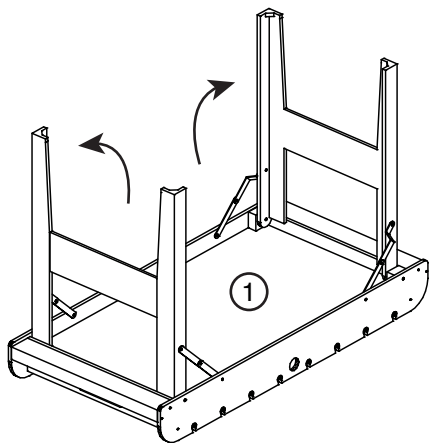
<p>1</p>  <p>QTY x1</p> <p>Table</p> <p>Rep. Part: 54093-R1</p>	<p>2</p>  <p>QTY x2</p> <p>3-Man Rods (Black Team)</p> <p>Rep. Part: 54047-R2</p>	<p>3</p>  <p>QTY x1</p> <p>2-Man Rod (Black Team)</p> <p>Rep. Part: 54047-R3</p>	<p>4</p>  <p>QTY x1</p> <p>5-Man Rod (Black Team)</p> <p>Rep. Part: 54047-R4</p>
<p>5</p>  <p>QTY x2</p> <p>3-Man Rods (White Team)</p> <p>Rep. Part: 54093-R2</p>	<p>6</p>  <p>QTY x1</p> <p>2-Man Rod (White Team)</p> <p>Rep. Part: 54093-R3</p>	<p>7</p>  <p>QTY x1</p> <p>5-Man Rod (White Team)</p> <p>Rep. Part: 54093-R4</p>	<p>8</p>  <p>QTY x2</p> <p>Soccer Balls</p> <p>Rep. Part: 54047-RP9</p>
<p>9 PRE-INSTALLED</p>			<p>10 PRE-INSTALLED</p>
 <p>QTY x2</p> <p>Molded Goal</p> <p>Rep. Part: 54047-RP10</p>	 <p>QTY x2</p> <p>Left Folding Hinge</p> <p>Rep. Part: 54047-RP11</p>	 <p>QTY x2</p> <p>Right Folding Hinge</p> <p>Rep. Part: 54047-RP12</p>	

ASSEMBLY INSTRUCTIONS

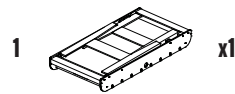
GENERAL NOTE

1. Find a clean, level place to begin the assembly of your Foosball Table.
We recommend that two adults work together to assemble this Foosball Table.
2. Remove all the parts from the box and verify that you have all of the listed parts as shown on the parts list page. Carefully cut or tear the four corners of the box so that the bottom of the box can be used as your work surface.

STEP 1

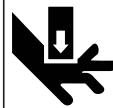


PARTS



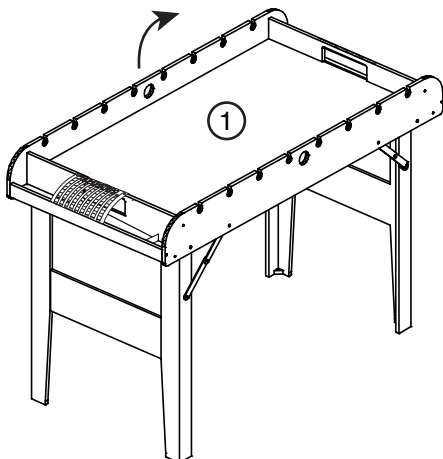
NOTE

Unfold legs on **Table (#1)** and lock into place.

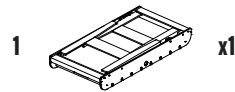


CAUTION:
PINCH HAZARD! KEEP HANDS CLEAR.

STEP 2



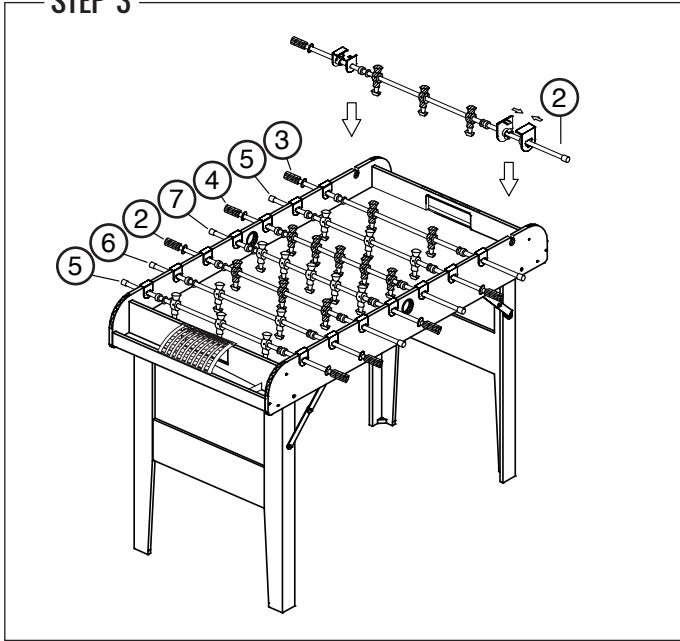
PARTS



NOTE

Two adults should turn table over to a standing position.

STEP 3



PARTS

2		x2
3		x1
4		x1
5		x2
6		x1
7		x1

NOTE

Attach **Player Rods** (#2, #3, #4, #5, #6, #7) in the order as shown. Be sure players are facing the proper direction before pushing down and snapping into place.

YOU ARE NOW READY TO PLAY!