

***Franklin***<sup>®</sup>

**83.5IN x 41.5IN (212CM x 105CM)**

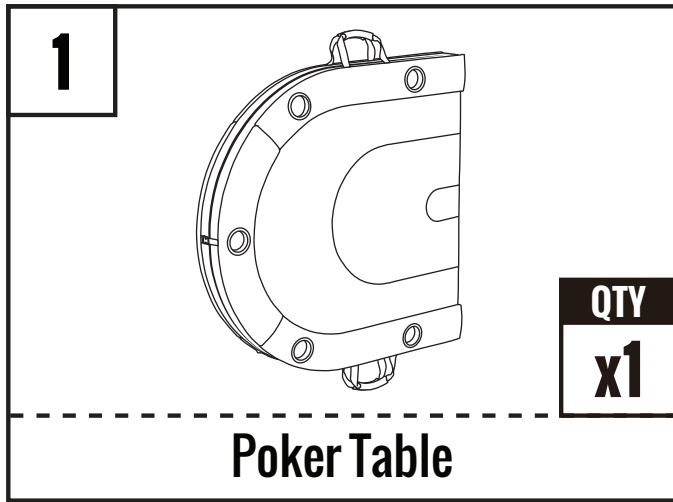
# **POKER TABLE**

ITEM NUMBER: **54095X**

For all your replacement part needs, please visit:  
[www.franklinsports.com/54095X](http://www.franklinsports.com/54095X)



# PARTS LIST

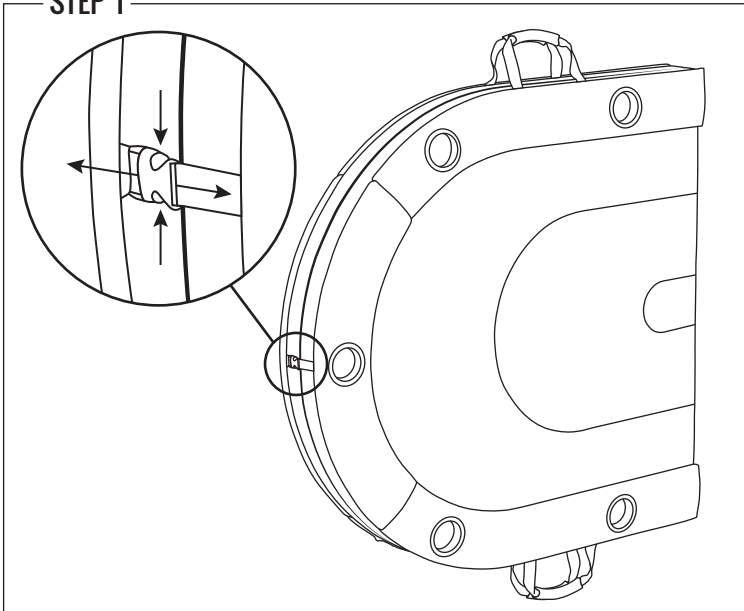


# ASSEMBLY INSTRUCTIONS

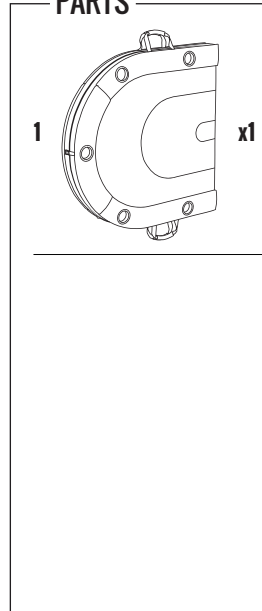
## GENERAL NOTE

Start by finding a clean open area to setup your poker table. We suggest bringing the table to the location you will use it before setting it up. The table is easiest to move using the provided handles.

## STEP 1



## PARTS

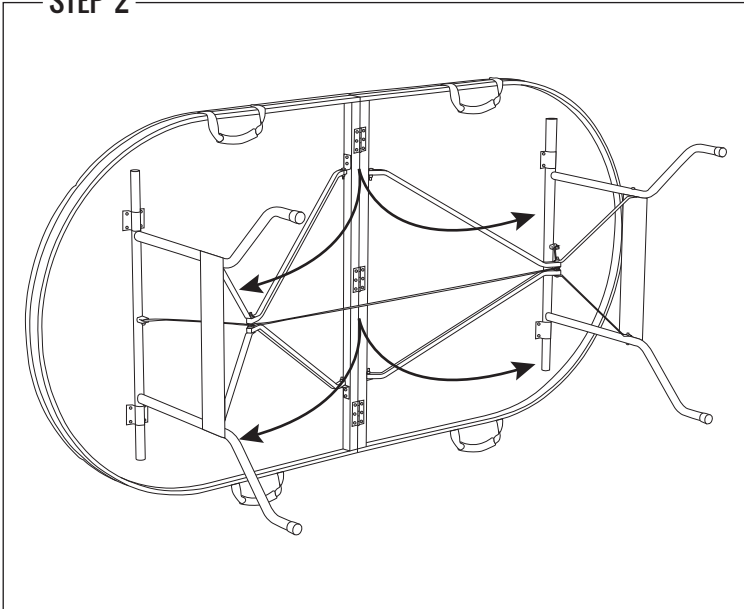


## NOTE

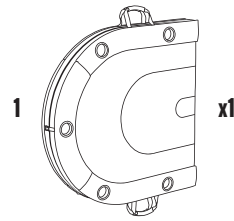
With the table on its side, unclip the latched clips.

# ASSEMBLY INSTRUCTIONS

## STEP 2



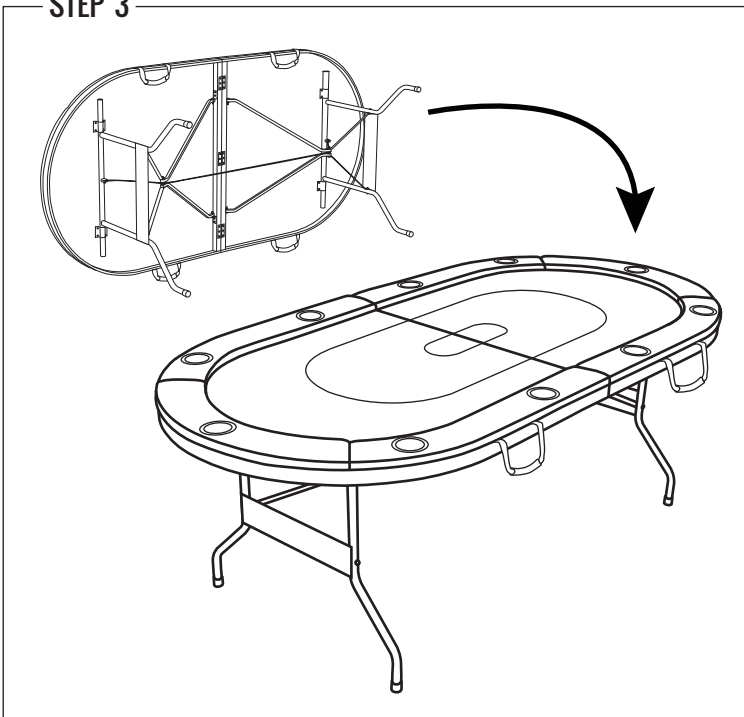
## PARTS



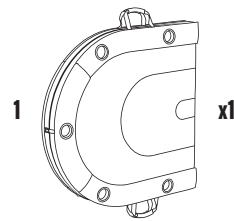
## NOTE

Open the table and rotate each leg outward. Make sure that the two halves of the table are collinear with one another and the legs are protruding at a 90 degree angle from the underside of the surface.

## STEP 3



## PARTS



## NOTE

With the help of another adult, grab each end of the table and rotate the table so it is standing on its legs.

NOTE:  
When you are ready to put the item away into storage, simply follow the setup steps in reverse order.



**CAUTION:**  
PINCH HAZARD! KEEP HANDS CLEAR.

# YOU ARE NOW READY TO PLAY!

Made In China  
Franklin Sports Inc.  
Stoughton, MA 02072

**Franklin**

For replacement parts:  
Visit: [www.franklinsports.com/54095X](http://www.franklinsports.com/54095X)  
Email: [replacementparts@franklinsports.com](mailto:replacementparts@franklinsports.com)  
Call: 1-800-225-8649