

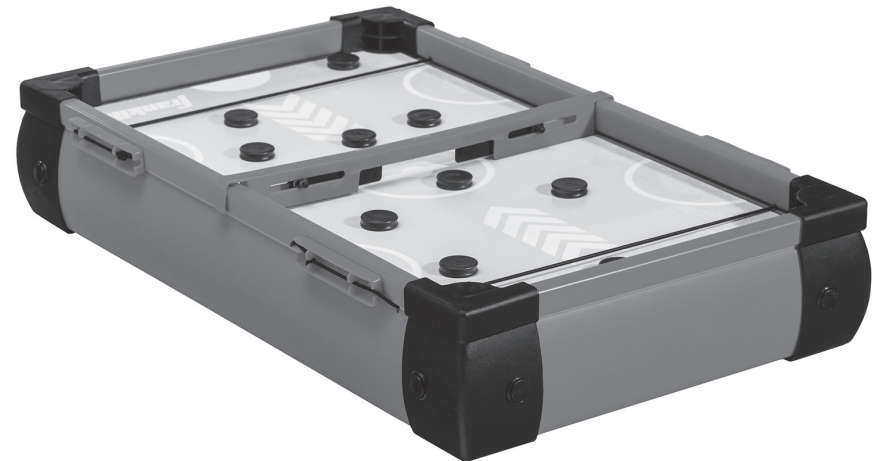
Franklin[®]

Ages 6+

SLINGSHOT HOCKEY

ITEM NUMBER: **55213** **55213S11**

For all your replacement part needs, please visit:
www.franklinsports.com/55213



WARNING:
CHOKING HAZARD--Small parts.
Not for children under 3 yrs.

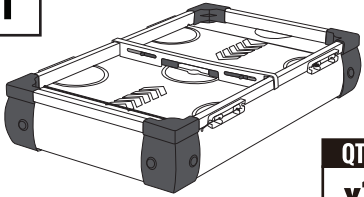

NOTE: PRINT FRONT TO BACK

Made In China
Franklin Sports Inc.
Stoughton, MA 02072

Franklin[®]

For replacement parts:
Visit: www.franklinsports.com/55213
Email: parts@franklinsports.com
Call: 1-800-225-8649

PARTS LIST

<p>1</p>  <p>QTY x1</p>	<p>2</p>  <p>QTY x10</p>
<p>Main Body Rep. Part: N/A</p>	<p>Pucks Rep. Part: 55213-R1</p>

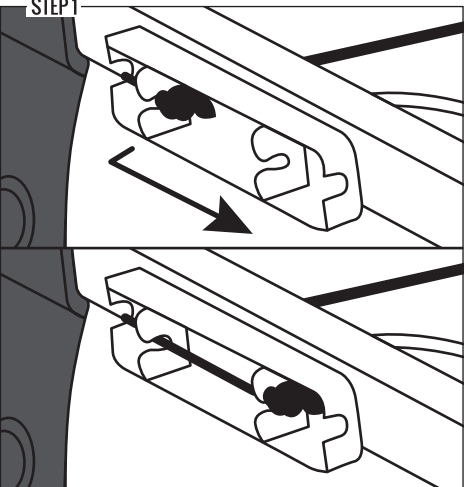
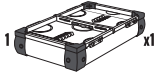
ASSEMBLY INSTRUCTIONS

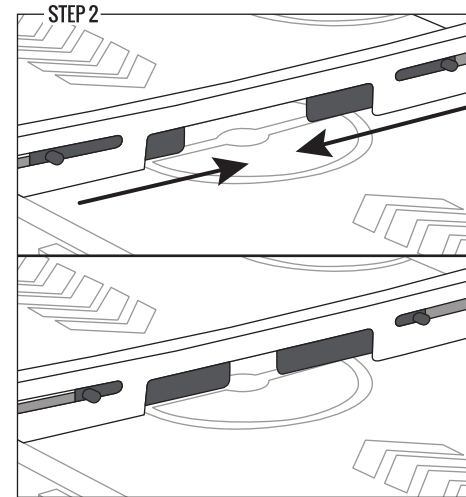
GENERAL NOTE

Start by finding a space that is flat and clear of other objects.

YOU ARE NOW READY TO PLAY!

SETUP

<p>STEP 1</p> 	<p>PARTS</p>  <p>1 x1</p>	<p>NOTE</p> <p>This item comes fully assembled. To adjust the tension of the launch cord, change its position on the side of the item.</p>
---	--	---



NOTE

To change the difficulty of the game slide the center dividers open or closed.

GAME INSTRUCTIONS

OBJECT:

To be the first player to clear the pucks from your side.

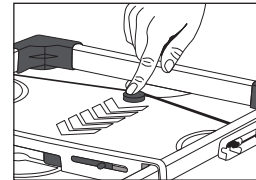
RULES

Players will start the game with 5 pucks on their side. Game begins after both players will count down from 3. Once the game begins, players try and send their pucks to the other players side as fast as they can.

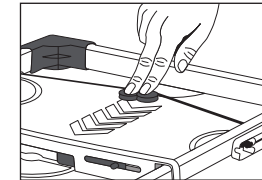
TECHNIQUE:

There are many ways to get the puck to the other side. Here are a few options:

Single Finger Sling:



Double Trouble:



Shotgun Blast:

