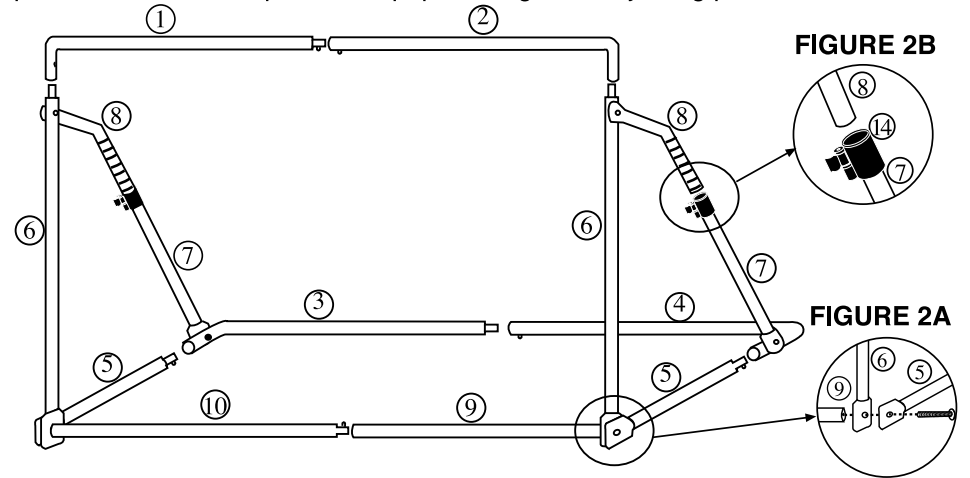


(A phillips head screw driver is required to assemble this soccer rebounder)

PART	QTY	DESCRIPTION	
1.	1	L Shape Tube	8 1/4" x 37" (metal snap on tapered end)
2.	1	L Shape Tube	8 1/4" x 37" (perforated end - non tapered tube)
3.	1	L Shape Tube	8 1/4" x 37" (metal snap on tapered end & perforated short bend)
4.	1	L Shape Tube	8 1/4" x 37" (perforated both ends - non tapered tube)
5.	2	Straight Tube	17 3/8" with pressed end
6.	2	Straight Tube	42" with pressed end
7.	2	Straight Tube	23 5/8" with pressed end
8.	2	Bent tubin	20 1/5" straight w/ 6 1/4 bend
9.	1	Straight Tube	36 3/8" (with screw receptacle end)
10.	1	Straight Tube	36 3/8" (tapered tube with screw receptacle end)
11.	1	2 Tone Mesh Net	64" x 40" x 4" (4" x 4") w/center 32"x 16" x 1.75"
12.	4	U Shape Ground	8"Stake
13.	36	Bungie Cords	Black bungie cord
14.	2	Plastic Adjustable	2 1/8" x 1 3/8"joints
15.	4	Metal Hardware	4 sets of screw, washer and wing nut, & 2 screws

Figure #2 FRAME ASSEMBLY

Assemble all lengths of tubing as shown in Figure 1. Be sure that the piece is inserted completely. The ends of each tube insert tightly and is secured when the press button of the tapered end pops through the adjoining perforated tube.



Note: It is essential that these steps be followed in the order prescribed to ensure a secure assembly.

1. Remove and discard the 10 caps from the tube ends. Remove plastic bags from the tubes. Lay out all parts.
2. Assemble the first set of tubes parts 3 & 4 . This assembly will create the back base.
3. Insert tapered tubes part 5 to the back base.
4. Insert tapered tube part 10 into tube part 9 . This creates the front base.
5. Insert the flat sections of part 6 between the flat section of part 5 and the front base bar (part 9 and part 10) . The push pin should be pointing inward. line up the holes and insert the screws ((without the wing nut)Refer to Figure 2A). Tighten the base screw 90% to secure these three pieces. (Be sure to tighten the screws 100% after the top bar is added.)
6. Tap the plastic joint until it no longer can twist. Insert tube part 8 through the plastic joint and into tube part 7 until you can only see 5 lines on part 8 . Lock the plastic joint part 14 into position. (Refer to Figur 2B)
7. Attach tube part 7 to the outside of tube parts 4 & 3 respectively by inserting the screw from the outside and using washer & wing nut to tighten.
8. With the top of bent tube part 8 facing the front of the goal attach each part 8 to the top of tube parts 6 . Secure by inserting the screw from the outside and using washer & wing nut to tighten.
9. Tighten the screws into the base of tube parts 9 & 10 to 100%.
10. Assemble tube parts 1 & 2 to create top bar.
11. Attach the top bar by inserting over the tapered sections of tube parts 6 .

The unit is now assembled to a 90 degree angle. You can adjust the Rebounder to your designated angle. Loosening both sides of the plastic joint and line up the sides of tube parts 8 to the desired angle. Always be sure that the plastic joint is tightened before play.