

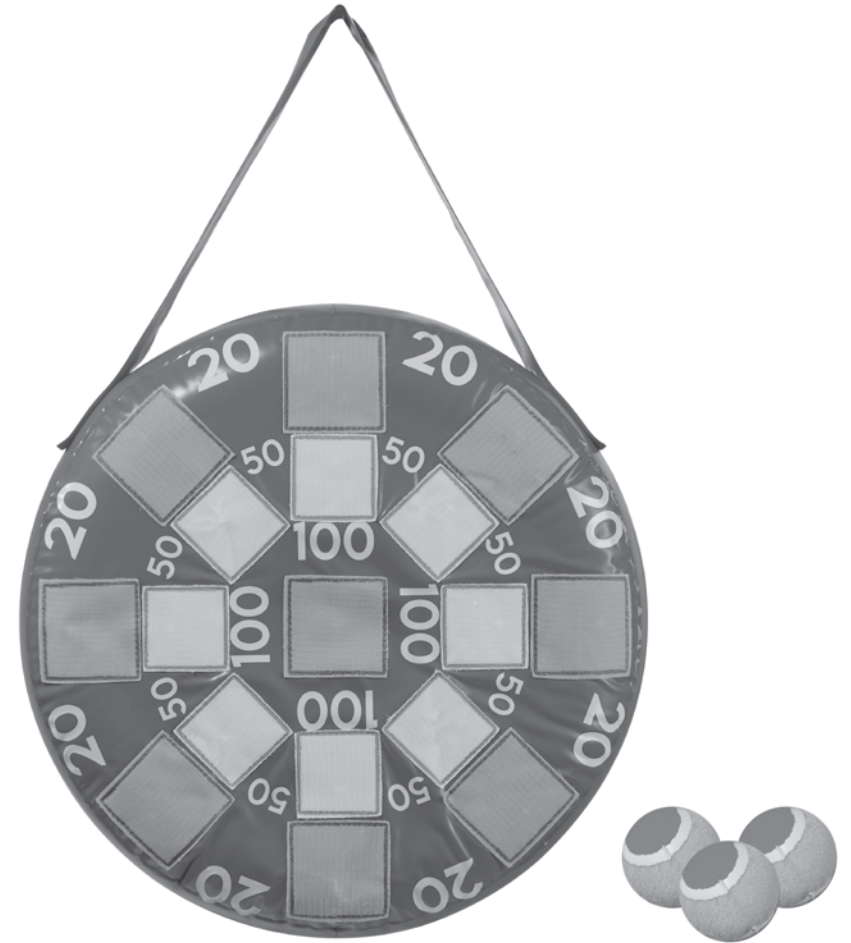
Ages 3+

Franklin[®]

FUTURE
***CHAMPS[®]

KIDS INFLATABLE DART BALL

ITEM NUMBER: **60188**



⚠ WARNING:
 Do not over inflate. Do not use as flotation device.
 Keep away from fire. Store in dry climate.

Made In China
 Franklin Sports Inc.
 Stoughton, MA 02072

Franklin[®]

For replacement parts:
 Visit: www.franklinsports.com/60188
 Email: parts@franklinsports.com
 Call: 1-800-225-8649

NOTE: PRINT FRONT TO BACK

Franklin®

CUSTOMER SERVICE COMMITMENT

Thank you for purchasing this Franklin® product! In the event that the product you've purchased has missing or damaged parts, please contact us at:

parts@franklinsports.com

or

Visit our website at: **www.franklinsports.com/60188**

If possible, please include product part number and parts description so we can best assist you.

WE'RE HERE FOR YOU!

PLEASE DO NOT RETURN THIS PRODUCT TO THE STORE IT WAS PURCHASED FROM.

WE ARE COMMITTED TO FULFILLING ALL REPLACEMENT PART NEEDS IMMEDIATELY.

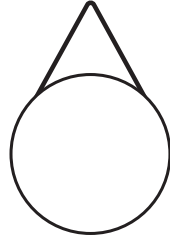

Thank you for your continued support, and welcome to the #FranklinFamily!

Franklin® ITEM#: **60188**

1

For replacement parts:
Visit: www.franklinsports.com/60188
Email: parts@franklinsports.com
Call: 1-800-225-8649

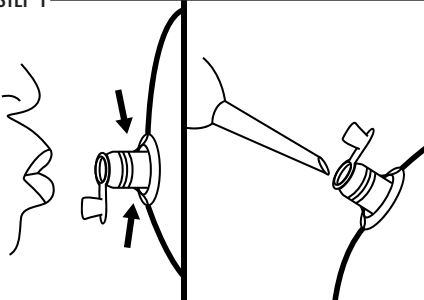
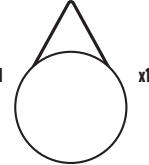
PARTS LIST

1		2	
	QTY x1		QTY x3
Inflatable Target		Tennis Ball Darts	

ASSEMBLY INSTRUCTIONS

GENERAL NOTE

Remove the product from the box and make sure all of the parts from the parts list are included.

STEP 1		PARTS	NOTE
		1  x1	Blow up the product with air, either by mouth or by pump. An air compressor or foot pump is recommended for inflation (not included).

INFLATION:

To inflate using your mouth - Unplug the air valve plug and pinch the bottom of the inflation valve to release the inner flap. A small opening will be created allowing air to flow.

To inflate using an air compressor or foot pump - Unplug the air valve plug and pinch the bottom of the inflation valve to release the inner flap. Insert the needle past the inner flap and inflate accordingly.

Once the product is inflated, close the air valve plug to keep the air inside.

YOU ARE NOW READY TO PLAY!

Franklin® ITEM#: **60188**

2

For replacement parts:
Visit: www.franklinsports.com/60188
Email: parts@franklinsports.com
Call: 1-800-225-8649