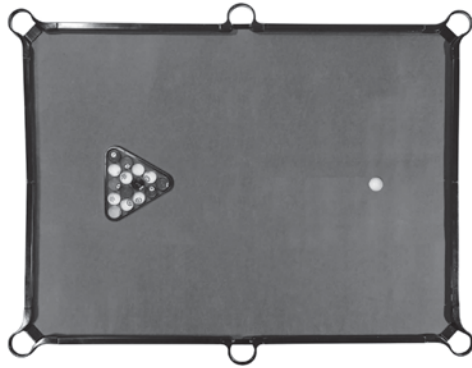


## RULES OF THE GAME:

Place all Billiards Golf Balls on the putting green and grab your putter. Set the balls up using the Racking Triangle and shoot, just like you would in real Billiards!



## MULTIPLAYER:

Choose one player to break.

Take the completely white Billiards Golf Cue Ball and shoot it towards the racked triangle of golf balls at the other end of the play surface, aiming to score on the corner & middle pockets.

You can only score by putting the white Billiards Cue Ball into another striped or solid colored ball. You may not putt the striped and solid golf balls directly!

Players alternate taking turns putting the golf balls into each pocket. If you successfully get a ball into a pocket, you get to go again. Your turn ends when you do not get any Billiards Golf Balls into a pocket.

The first player to get a ball in a pocket determines which team they're on. If the ball scored is striped, you are on the striped team. If the ball scored is solid, you are on the solid team. Whichever ball design you score with is your team for the game!

**\*\* Be careful! If you score an opponent's ball into a pocket, it still counts as a point for them!**

Make sure you're aiming for the correct color! \*\*

**\*\* Do NOT be the one to get the black 8 ball in any of the pockets. If the 8 ball is scored,**

**you automatically lose the game! \*\***

Be the first one to get all your balls in the Billiards Pockets and you win!

## SINGLE PLAYER:

Either go for one color and practice your Billiards Golf skills, or master your short game with this massive putting green in the comfort of your own home!

# YOU ARE NOW READY TO PLAY!

Made In China  
Franklin Sports Inc.  
Stoughton, MA 02072

**Franklin**<sup>®</sup>

For replacement parts:  
Visit: [www.franklinsports.com/60191S11](http://www.franklinsports.com/60191S11)  
Email: [parts@franklinsports.com](mailto:parts@franklinsports.com)  
Call: 1-800-225-8649

**Franklin**<sup>®</sup>

AGES 6+

# BILLIARDS GOLF

ITEM NUMBER: **60191S11**

For all your replacement part needs, please visit:  
[www.franklinsports.com/60191S11](http://www.franklinsports.com/60191S11)



**WARNING:**  
CHOKING HAZARD--Toy contains small balls. Not for children under 3 yrs.



**CAUTION:**  
Not for use by children without adult supervision. Caution should be taken when putting the ball. Play in clear area. Do not aim towards a person.

**NOTE: PRINT FRONT TO BACK**



## CUSTOMER SERVICE COMMITMENT

Thank you for purchasing this Franklin® product! In the event that the product you've purchased has missing or damaged parts, please contact us at:

[parts@franklinsports.com](mailto:parts@franklinsports.com)

or

Visit our website at: [www.franklinsports.com/60191S11](http://www.franklinsports.com/60191S11)

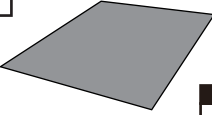

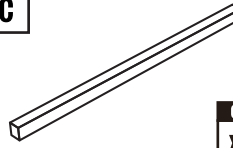
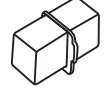
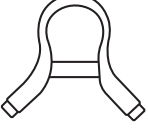


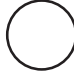

**If possible, please include product part number and parts description so we can best assist you.**

## WE'RE HERE FOR YOU!

**PLEASE DO NOT RETURN THIS PRODUCT TO THE STORE IT WAS PURCHASED FROM. WE ARE COMMITTED TO FULFILLING ALL REPLACEMENT PART NEEDS IMMEDIATELY AFTER PROCESSING YOUR ORDER.**

Thank you for your continued support, and welcome to the #FranklinFamily!

## PARTS LIST

<b>A</b>  QTY <b>x1</b>	<b>B</b>  QTY <b>x4</b>	<b>C</b>  QTY <b>x4</b>
Putting Green Play Surface Rep. Part: 60191-R1	Short Black Frame Rep. Part: 60191-R2	Long Black Frame Rep. Part: 60191-R3
<b>D</b>  QTY <b>x2</b>	<b>E</b>  QTY <b>x4</b>	<b>F</b>  QTY <b>x2</b>
Frame Connectors Rep. Part: 60191-R4	Corner Pockets Rep. Part: 60191-R5	Middle Pockets Rep. Part: 60191-R6
<b>G</b>  QTY <b>x1</b>	<b>H</b>  QTY <b>x16</b>	<b>I</b>  QTY <b>x2</b>
Racking Triangle Rep. Part: 60191-R7	Billiards Golf Balls Rep. Part: 60191-R8	Putters Rep. Part: 60191S11-R9

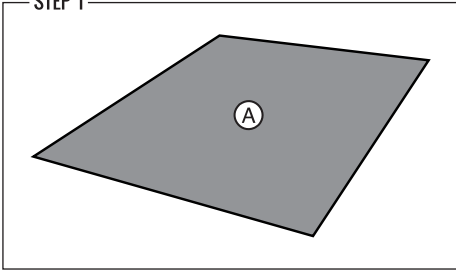
## ASSEMBLY INSTRUCTIONS

### GENERAL NOTE

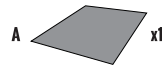
- Remove all components from packaging.
- Sort all components using the parts list and confirm that all parts are included.

# ASSEMBLY INSTRUCTIONS

STEP 1



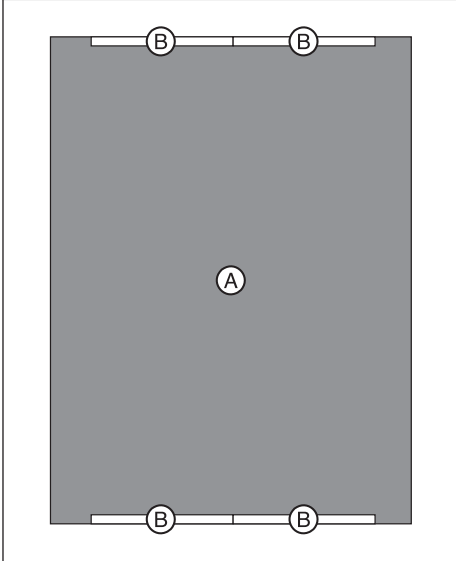
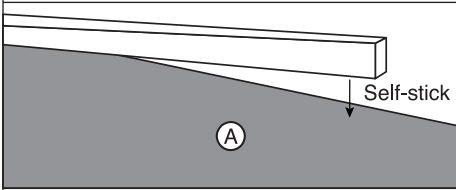
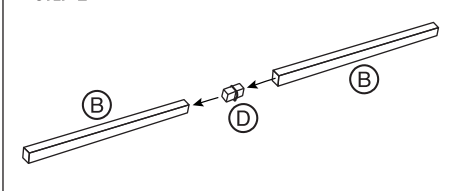
PARTS



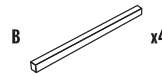
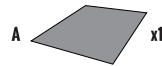
NOTE

Unroll, flatten, and lay out the **Putting Green Play Surface (A)** in your play area.

STEP 2



PARTS



NOTE

Take 2 pieces of the **Short Black Frame (B)** and connect using the **Frame Connector (D)** as shown. Make sure that when connecting, the bumpers and self-stick strips on each frame align with the other.

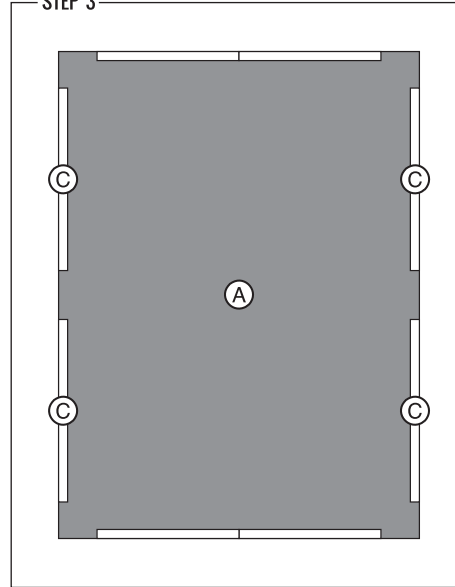
Take the remaining two **Short Black Frame (B)** pieces and **Frame Connector (D)** piece and do the same thing.

Once you have two long frame pieces assembled, lay them on each shorter length side of the **Putting Green Play Surface (A)**, self-stick strip side down as shown.

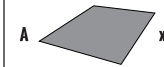
Press the black frames down to make the self-stick strip adhere to the **Putting Green Play Surface (A)** tightly.

# ASSEMBLY INSTRUCTIONS

STEP 3



PARTS

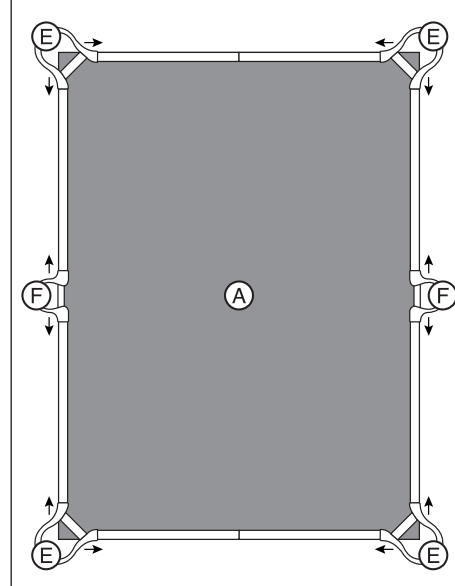


NOTE

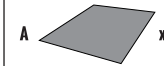
Lay each **Long Black Frame (C)** along the long sides of the **Putting Green Play Surface (A)** as shown.

Press the black frames down to make the self-stick strip adhere to the **Putting Green Play Surface (A)** tightly.

STEP 4



PARTS



NOTE

Place the **Corner Pockets (E)** on each corner of the play surface and connect to the corresponding **Short Black Frame (B)** and **Long Black Frame (C)** as shown.

Do the same with the **Middle Pockets (F)**, except place these in the middle of each long side of the **Putting Green Play Surface (A)**.