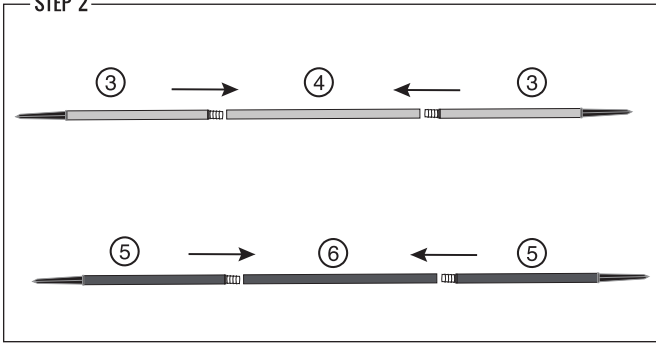
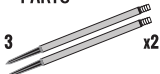





STEP 2

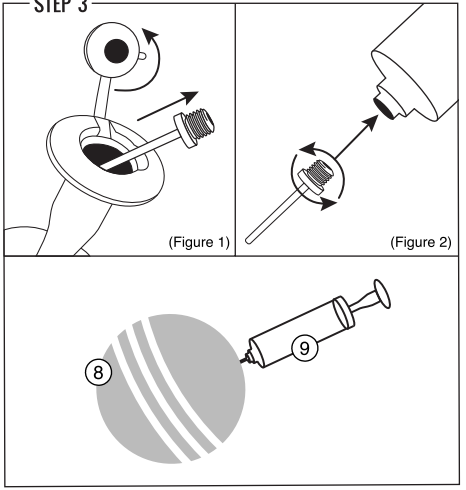




- PARTS**
- 3  x2
 - 4  x1
 - 5  x2
 - 6  x1

NOTE

Take two **Yellow Ground Stakes** (#3) and one **Yellow Connection** (#4) and assemble together using the white connectors as shown. Lastly, take two **Blue Ground Stakes** (#5) and one **Blue Connection** (#6) and assemble together using the white connectors as shown. Repeat this process for the assembly of the 2nd Yellow and Blue Wickets.

STEP 3



- PARTS**
- 8  x2
 - 9  x1

NOTE

Inflate your **Kick Croquet Balls** (#8) using the **Inflation Pump with Needle** (#9) that's included. To find the needle in the pump, simply open the top cap as shown, take the needle out of this compartment (Figure 1), and screw into the bottom of the pump (Figure 2). For quicker inflation, a foot pump or air compressor is recommended.

YOU ARE NOW READY TO PLAY!

Head over to the KICK CROQUET Game Sheet to see full rules on how to play!

Made In China
Franklin Sports Inc.
Stoughton, MA 02072



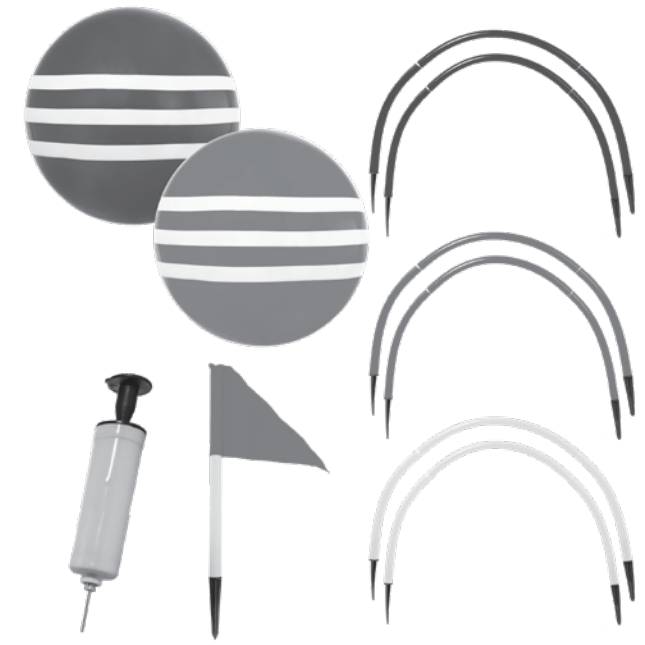
For replacement parts:
Visit: www.franklinsports.com/60214
Email: parts@franklinsports.com
Call: 1-800-225-8649



Ages 3+

KICK CROQUET

ITEM NUMBER: **60214**



WARNING:
CHOKING HAZARD--Small parts.
Not for children under 3 yrs.

CAUTION:
Ground Stakes is under tension. Exercise caution when placing or removing from ground. Adult assembly and supervision required during play. Not for children under 3 yrs.

NOTE: PRINT FRONT TO BACK



CUSTOMER SERVICE COMMITMENT

Thank you for purchasing this Franklin® product! In the event that the product you've purchased has missing or damaged parts, please contact us at:

parts@franklinsports.com

or

Visit our website at: www.franklinsports.com/60214

If possible, please include product part number and parts description so we can best assist you.

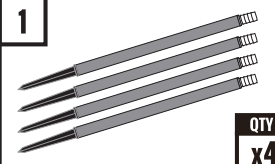
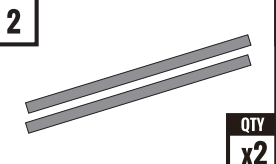
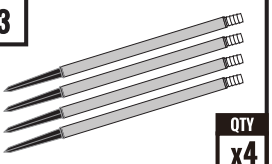
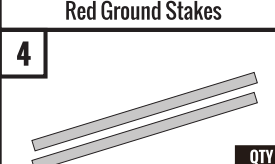

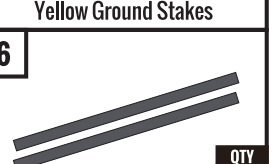
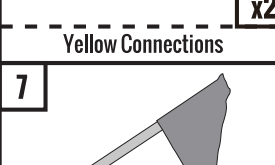


WE'RE HERE FOR YOU!

PLEASE DO NOT RETURN THIS PRODUCT TO THE STORE IT WAS PURCHASED FROM.

WE ARE COMMITTED TO FULFILLING ALL REPLACEMENT PART NEEDS IMMEDIATELY.

Thank you for your continued support, and welcome to the #FranklinFamily!

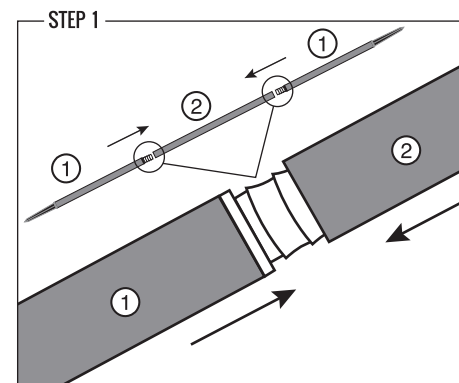
PARTS LIST

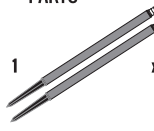
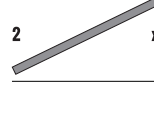
 QTY x4 Red Ground Stakes	 QTY x2 Red Connections	 QTY x4 Yellow Ground Stakes
 QTY x2 Yellow Connections	 QTY x4 Blue Ground Stakes	 QTY x2 Blue Connections
 QTY x1 Finish Flag	 QTY x2 Kick Croquet Balls	 QTY x1 Inflation Pump with Needle

ASSEMBLY INSTRUCTIONS

GENERAL NOTES

Remove the product from the box and make sure all parts from the parts list are included. Find a clean place to begin the assembly of your KICK CROQUET game.



PARTS	
	x2
	x1

NOTE

Each wicket is made up of three pieces. Take two **Red Ground Stakes (#1)** and one **Red Connection (#2)** and assemble together using the white connectors as shown.

Repeat for the assembly of the 2nd Red Wicket.