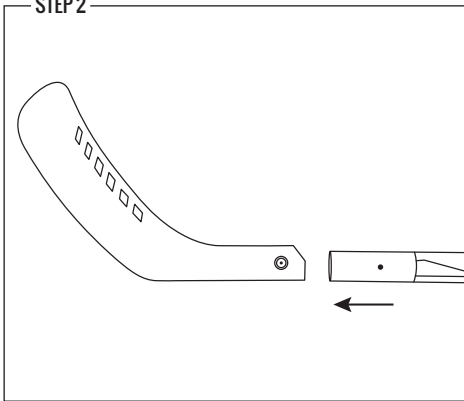
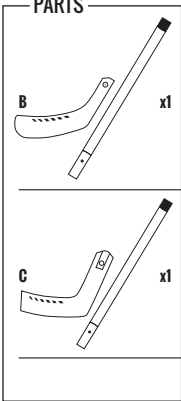


STEP 2



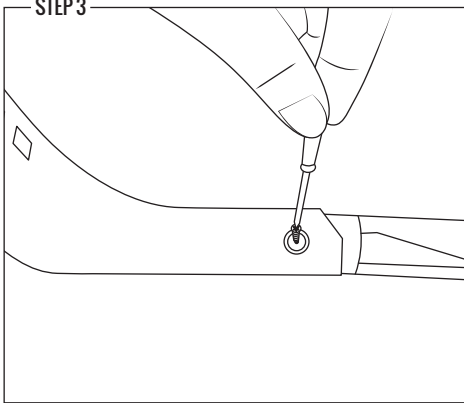
PARTS



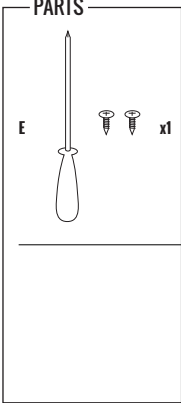
NOTE

For each stick, insert the shaft into the blade.

STEP 3



PARTS



NOTE

Secure the blade to the shaft with the screws and screwdriver provided.

Franklin[®]



YOUTH HOCKEY SET

ITEM NUMBER: **64017** **64017X**



YOU ARE NOW READY TO PLAY!

Made In China
Franklin Sports Inc.
Stoughton, MA 02072



For replacement parts:
Visit: franklinsports.com/instructions
Email: parts@franklinsports.com
Call: 1-800-225-8649

NOTE: PRINT FRONT TO BACK



CUSTOMER SERVICE COMMITMENT

Thank you for purchasing this Franklin® product! In the event that the product you've purchased has missing or damaged parts, please contact us at:

parts@franklinsports.com

or

Visit our website at: **franklinsports.com/instructions**

If possible, please include product part number and parts description so we can best assist you.

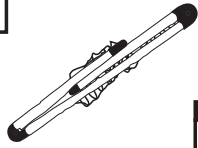

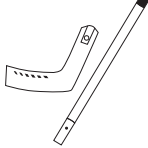

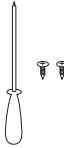
WE'RE HERE FOR YOU!

PLEASE DO NOT RETURN THIS PRODUCT TO THE STORE IT WAS PURCHASED FROM.

WE ARE COMMITTED TO FULFILLING ALL REPLACEMENT PART NEEDS IMMEDIATELY.

Thank you for your continued support, and welcome to the #FranklinFamily!

PARTS LIST

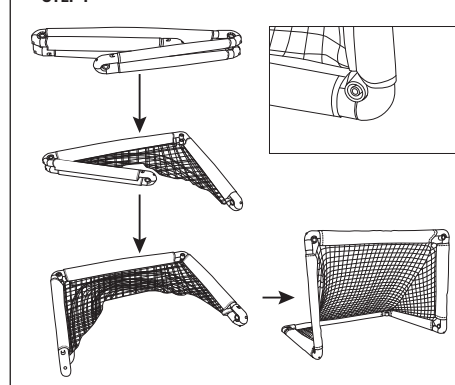
A  Goal QTY x1	B  Player Stick QTY x1	C  Goalie Stick QTY x1
Rep. Part: 64017-R1		Rep. Part: 64017-R2
D  Hockey Ball QTY x1	E  Screwdriver & Screws Set QTY x1	
Rep. Part: 64017-R3		

ASSEMBLY INSTRUCTIONS

GENERAL NOTE

Remove the product from the box and make sure all of the parts from the parts list are included.

STEP 1



PARTS



NOTE

Unfold the pre-assembled goal. Each corner must click to lock.