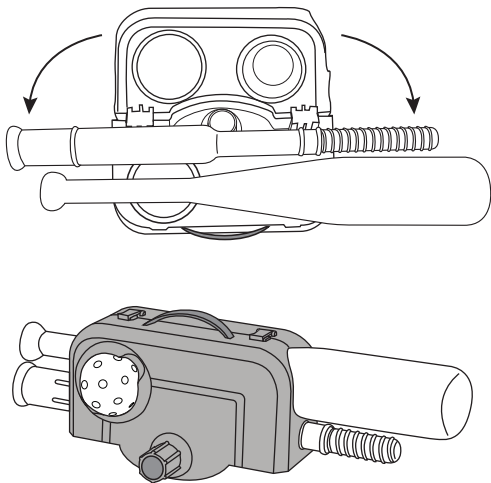


STORAGE



NOTE

To store, place the bat and shaft of the tee inside the base as shown and snap base closed.

**YOU ARE NOW READY TO PLAY!**

Made In China  
Franklin Sports Inc.  
Stoughton, MA 02072



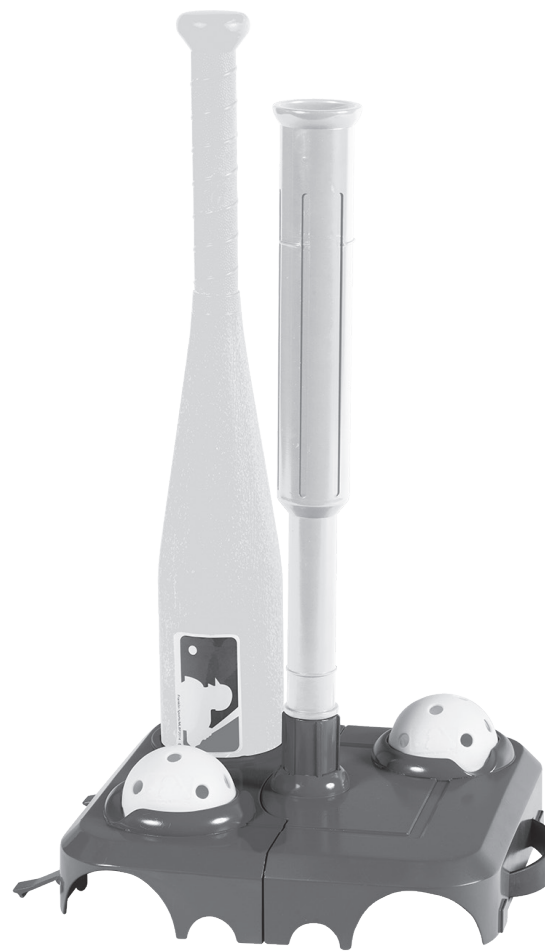
For replacement parts:  
Visit: [franklinsports.com/instructions](http://franklinsports.com/instructions)  
Email: [parts@franklinsports.com](mailto:parts@franklinsports.com)  
Call: 1-800-225-8649

Ages 3+



# FOLD AWAY BATTING TEE

ITEM NUMBER: **64037**



**NOTE: PRINT FRONT TO BACK**



## CUSTOMER SERVICE COMMITMENT

Thank you for purchasing this Franklin® product! In the event that the product you've purchased has missing or damaged parts, please contact us at:

[parts@franklinsports.com](mailto:parts@franklinsports.com)

or

Visit our website at: [franklinsports.com/instructions](http://franklinsports.com/instructions)

If possible, please include product part number and parts description so we can best assist you.

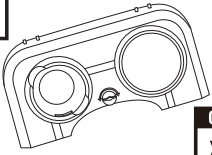
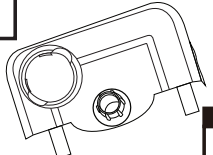

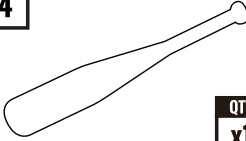
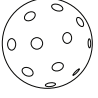
# WE'RE HERE FOR YOU!

**PLEASE DO NOT RETURN THIS PRODUCT TO THE STORE IT WAS PURCHASED FROM.**

**WE ARE COMMITTED TO FULFILLING ALL REPLACEMENT PART NEEDS IMMEDIATELY.**

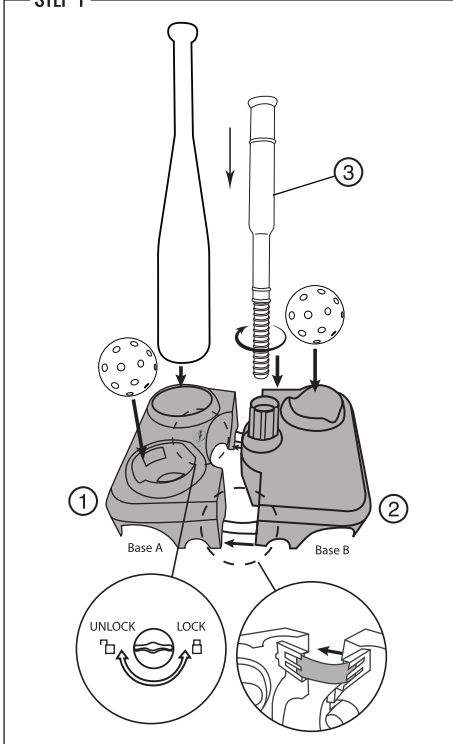
Thank you for your continued support, and welcome to the #FranklinFamily!

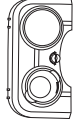
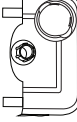

## PARTS LIST

|   |  |   |
|---|--|---|
| <p><b>1</b></p>  <p>Base A</p> <p>QTY<br/><b>x1</b></p>      | <p><b>2</b></p>  <p>Base B</p> <p>QTY<br/><b>x1</b></p>           | <p><b>3</b></p>  <p>Tee Shaft</p> <p>QTY<br/><b>x1</b></p> |
| <p><b>4</b></p>  <p>Plastic Bat</p> <p>QTY<br/><b>x1</b></p> | <p><b>5</b></p>  <p>Plastic Baseball</p> <p>QTY<br/><b>x2</b></p> |   |

## ASSEMBLY INSTRUCTIONS

**STEP 1**



| PARTS    |   | NOTE   |
|----------|---|--|
| <b>1</b> |  x1  | Insert hinge from <b>Base B</b> (#2) into <b>Base A</b> (#1) as shown. |
| <b>2</b> |  x1  | Open base and lock into flat position.                                 |
| <b>3</b> |  x1 | Insert <b>Tee Shaft</b> (#3) to the desired height.                    |