

FRANKLIN®

Ages 3+

GALACTIC GOLF

ITEM NUMBER: **69000**



⚠ WARNING:
CHOKING HAZARD-- Toy contains
small balls. Not for children under 3 yrs.

Made In China
Franklin Sports Inc.
Stoughton, MA 02072

FRANKLIN®

For replacement parts:
Visit: franklinsports.com/instructions
Email: parts@franklinsports.com
Call: 1-800-225-8649

NOTE: PRINT FRONT TO BACK



CUSTOMER SERVICE COMMITMENT

Thank you for purchasing this Franklin® product! In the event that the product you've purchased has missing or damaged parts, please contact us at:

parts@franklinsports.com

or

Visit our website at: **franklinsports.com/instructions**

If possible, please include product part number and parts description so we can best assist you.

WE'RE HERE FOR YOU!

PLEASE DO NOT RETURN THIS PRODUCT TO THE STORE IT WAS PURCHASED FROM.

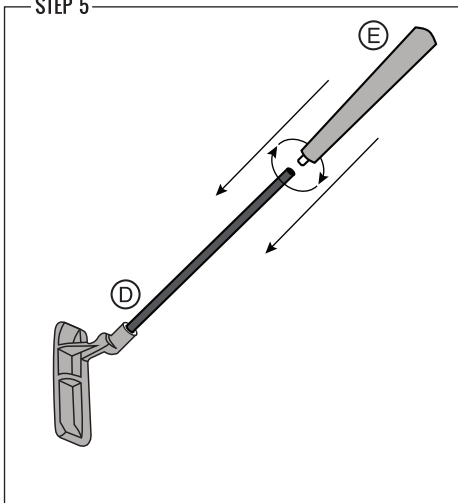
WE ARE COMMITTED TO FULFILLING ALL REPLACEMENT PART NEEDS IMMEDIATELY.

Thank you for your continued support, and welcome to the #FranklinFamily!

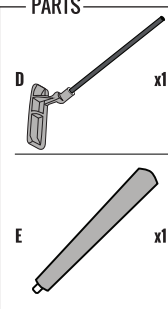
YOU ARE NOW READY TO PLAY!

**Head over to the GALACTIC GOLF
Game Sheet to see full rules on how to play!**

STEP 5



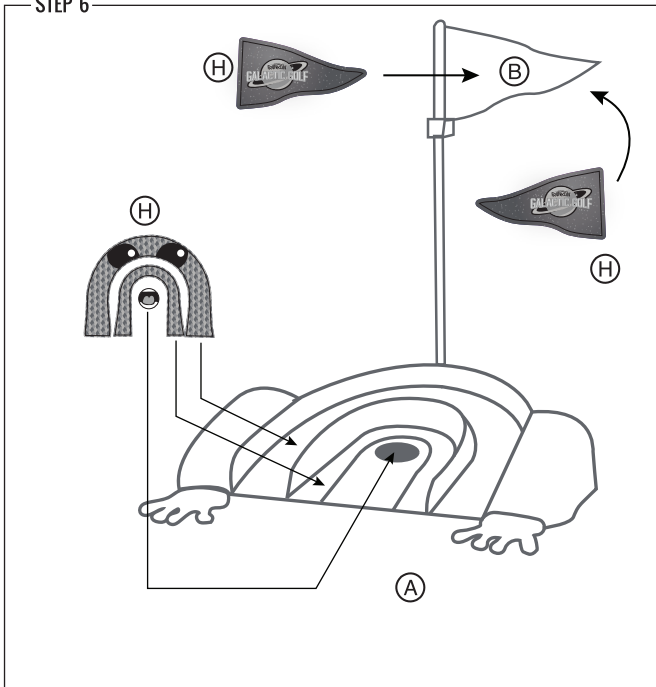
PARTS



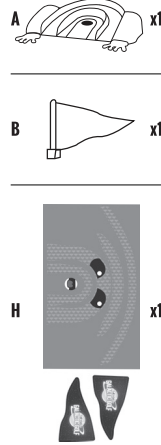
NOTE

Twist the **Putter Handle (E)** into the **Putter Base (D)** as shown.

STEP 6






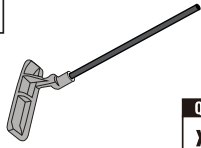
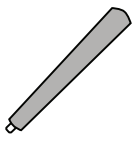

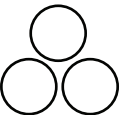
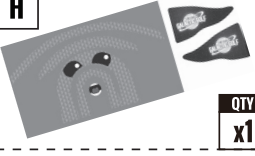
PARTS



NOTE

Apply the stickers from the **Sticker Sheet (H)** onto the **Galactic Golf Hole (A)** and **Flag (B)** as shown.

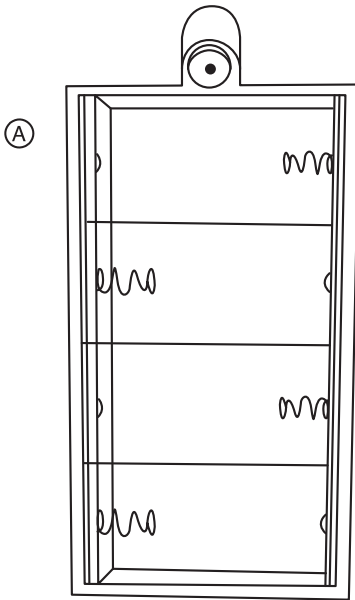
PARTS LIST

<p>A</p>  <p>QTY x1</p> <p>Galactic Golf Hole</p> <p>Rep. Part: 69000-R1</p>	<p>B</p>  <p>QTY x1</p> <p>Flag</p> <p>Rep. Part: 69000-R2</p>	<p>C</p>  <p>QTY x1</p> <p>Blacklight LED Flag Post</p> <p>Rep. Part: 69000-R3</p>
<p>D</p>  <p>QTY x1</p> <p>Putter Base</p> <p>Rep. Part: 69000-R4</p>	<p>E</p>  <p>QTY x1</p> <p>Putter Handle</p> <p>Rep. Part: 69000-R5</p>	<p>F</p>  <p>QTY x2</p> <p>Alien Antennas</p> <p>Rep. Part: 69000-R6</p>
<p>G</p>  <p>QTY x3</p> <p>Golf Balls</p> <p>Rep. Part: 69000-R7</p>	<p>H</p>  <p>QTY x1</p> <p>Sticker Sheet</p> <p>Rep. Part: N/A</p>	

ASSEMBLY INSTRUCTIONS

Remove the product from the box and make sure all parts from the parts list are included. Find a clean place to begin the assembly of your GALACTIC GOLF game.

STEP 1



(A)

Requires 4 "C" size batteries (not included).
Do not mix old and new batteries. Do not mix alkaline,
standard (carbon-zinc), or rechargeable batteries.

PARTS

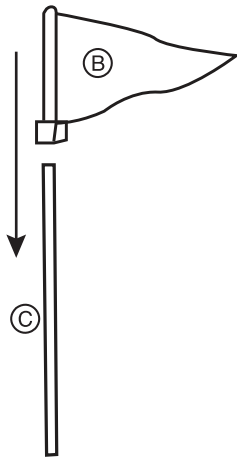


x1

NOTE

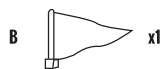
On the bottom of
the **Galactic Golf
Hole (A)**, remove
the screw from the
battery
compartment and
insert batteries.
Then, close the
battery
compartment.

STEP 2



(C)

PARTS



x1

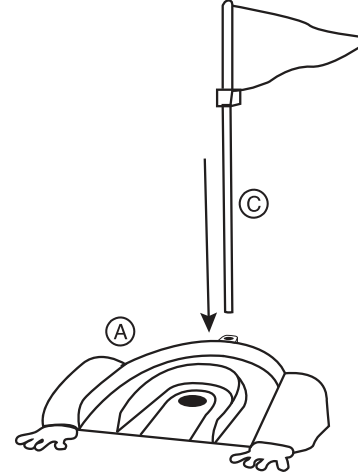


x1

NOTE

Lock the Flag (B)
onto the
**Blacklight LED
Flag Post (C)** as
shown.

STEP 3



(A)

(C)

PARTS



x1

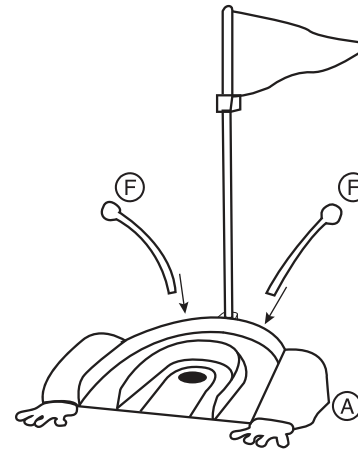


x1

NOTE

Attach the
**Blacklight LED
Flag Post (C)**
to the **Galactic Golf
Hole (A)** as shown.

STEP 4



(F)

(A)

PARTS



x1



x2

NOTE

Insert the **Alien
Antennas (F)** to
the back of the
**Galactic Golf Hole
(A)** as shown.