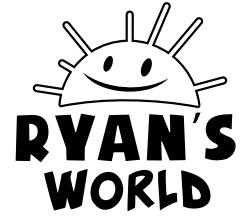


Ages 6+



RYAN'S SLAM DUNK BASKETBALL

ITEM NUMBER: **89008**



⚠ WARNING:
CHOKING HAZARD--Small parts.
Not for children under 3 yrs.

Made In China
Franklin Sports Inc.
Stoughton, MA 02072
TM & © REMKA



For replacement parts:
Visit: www.franklinsports.com/89008
Email: parts@franklinsports.com
Call: 1-800-225-8649

NOTE: PRINT FRONT TO BACK

Franklin[®]

CUSTOMER SERVICE COMMITMENT

Thank you for purchasing this product! In the event that the product you've purchased has missing or damaged parts, please contact us at:

parts@franklinsports.com

or

Visit our website at: **www.franklinsports.com/89008**

If possible, please include product part number and parts description so we can best assist you.

WE'RE HERE FOR YOU!

PLEASE DO NOT RETURN THIS PRODUCT TO THE STORE IT WAS PURCHASED FROM.

WE ARE COMMITTED TO FULFILLING ALL REPLACEMENT PART NEEDS IMMEDIATELY.

Thank you for your continued support, and welcome to the #FranklinFamily!

Franklin ITEM#: **89008**

1

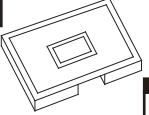
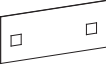
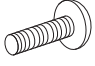

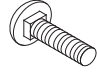
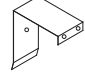
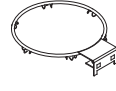







For replacement parts:
Visit: www.franklinsports.com/89008
Email: parts@franklinsports.com
Call: 1-800-225-8649

Made In China
Franklin Sports Inc.
Stoughton, MA 02072
TM & © REMKA

Franklin[®]

For replacement parts:
Visit: www.franklinsports.com/89008
Email: parts@franklinsports.com
Call: 1-800-225-8649

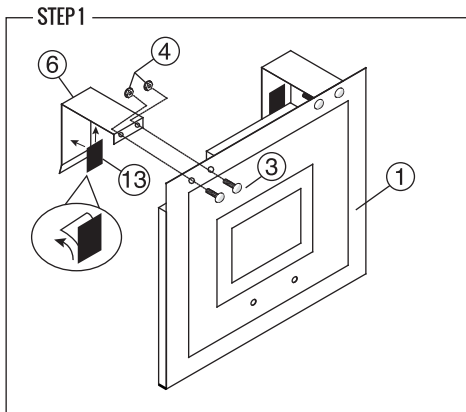
PARTS LIST

1		2		3		4	
	QTY x1		QTY x1		QTY x4		QTY x4
Main Board		Metal Support		M4 Metal Bolt		M4 Metal Nut	
89008-R1		54132-R2		54132-R2		54132-R2	
5		6		7		8	
	QTY x2		QTY x2		QTY x1		QTY x1
3/8in (1cm) Bolt		Hook		Rim		Net	
54132-R2		89008-R1		89008-R1		54251-R8	
9		10		11		12	
	QTY x2		QTY x1		QTY x1		QTY x1
1/4in (0.6cm) Nut		Basketball		Inflation Pump with Needle		Wrench	
54251-R9		56851S1-R10		52964-R11		54251-R12	
13		14					
	QTY x4		QTY x1				
Protective Foam		Screwdriver					
54251-R13		54251-R14					

ASSEMBLY INSTRUCTIONS

GENERAL NOTE

1. Find a clean place to begin the assembly of Ryan's Slam Dunk Basketball.
2. Remove all the parts from the box and verify that you have all of the listed parts as shown on the parts list page.
3. Before assembling the set, remove the protective film from the front of the backboard.

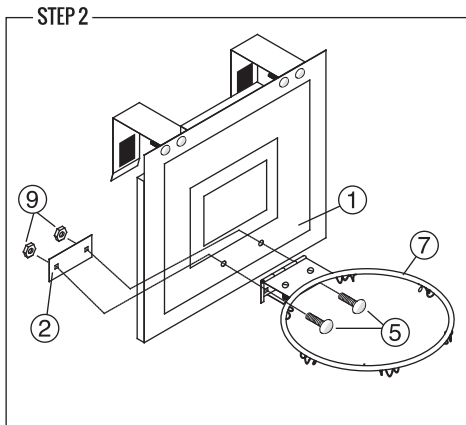


PARTS

1		x1
3		x4
4		x4
6		x2
13		x4

NOTE

Attach the **Hooks** (#6) to the **Main Board** (#1) using four **M4 Metal Bolts** (#3) and four **M4 Metal Nuts** (#4). Stick the **Protective Foam** (#13) to the inside faces of the hooks.

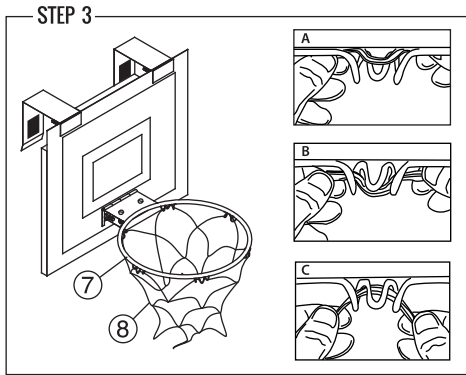


PARTS

1		x1
2		x1
5		x2
7		x1
9		x2

NOTE

Attach the **Rim** (#7) to the **Main Board** (#1) using two **Bolts** (#5), one **Metal Support** (#2) and two **Nuts** (#9).

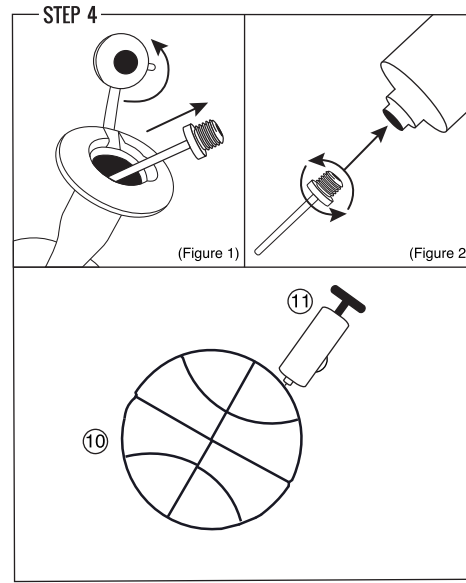


PARTS

7		x1
8		x1

NOTE

Install the **Net** (#8) to the **Rim** (#7).



PARTS

10		x1
11		x1

NOTE

Inflate your **Basketball** (10) using the **Inflation Pump with Needle** (11) that's included.

To find the needle in the pump, simply open the top cap as shown, take the needle out of this compartment (Figure 1), and screw into the bottom of the pump (Figure 2).

GAME INSTRUCTIONS

Rules:

Pro Hoops Basketball by Franklin is designed to be played inside and is a fun twist on some of our other basketball games. Players are trying to reach a score of 21. Players choose who will be shooting first. The player first up to shoot will choose the location their first shot will be thrown from. This location will be the same location used by all the other players and their first shot. When a player scores a point, they will choose the next location to shoot from and they will be the first ones to shoot.

Scoring:

Each time the ball is landed in the net, it is a potential one point. Players are able to snag points from one-another. For example, if there are three players (A,B,C) and player A chooses the shot location, shoots the ball and the ball goes through the net they have scored one point. However, the following two players (B,C) have a chance to snag player A's point. To do this, player B will shoot the ball from the same location that A did. If player B gets the ball through the net, then player B will snag player A's point. When this happens, player C now has the chance to steal player B's point. If both players B and C miss when trying to steal player A's point, player A will score 1 point. In the case that no players score points the person that shot first may choose another location to shoot the next round from. Players will play until one of the players reach 21.

YOU ARE NOW READY TO PLAY!