

Franklin[®]

48in (1.22m)

PORTABLE BASKETBALL SYSTEM

ITEM NUMBERS: **92004X** **92004C1X**

www.franklinsports.com/92004X



Made In China
Franklin Sports Inc.
Stoughton, MA 02072



CUSTOMER SERVICE COMMITMENT

Thank you for purchasing this Franklin® product! In the event that the product you've purchased has missing or damaged parts, please contact us at:

parts@franklinsports.com

or

Visit our website at: **www.franklinsports.com**

If possible, please include product part number and parts description so we can best assist you.

WE'RE HERE FOR YOU!

PLEASE DO NOT RETURN THIS PRODUCT TO THE STORE IT WAS PURCHASED FROM.

WE ARE COMMITTED TO FULFILLING ALL REPLACEMENT PART NEEDS IMMEDIATELY.

Thank you for your continued support, and welcome to the #FranklinFamily!



SAFETY INSTRUCTIONS



FAILURE TO FOLLOW THESE SAFETY INSTRUCTIONS MAY RESULT IN SERIOUS INJURY AND/OR PROPERTY DAMAGE AND WILL VOID WARRANTY.

Owner must ensure that all players know and follow these rules for safe operation of the system.

To ensure safety, do not attempt to assemble this system without following the instructions carefully. Check entire box and inside all packing material for parts and/or additional instruction material. Before beginning assembly, read the instructions and identify parts using the hardware identifier and parts list in this document. Proper and complete assembly, use, and supervision are essential for proper operation and to reduce the risk of accident or injury. A high probability of serious injury exists if this system is not installed, maintained and operated properly.

- 2 capable adults are recommended for this operation.
- Check base daily for leakage. Leaks will cause system to fall.
- Assemble the pole sections properly. Failure to do so could cause the pole sections to separate during play or transport.

Most injuries are caused by misuse and/or not following instructions. Use caution when using this system.

PARTS LIST

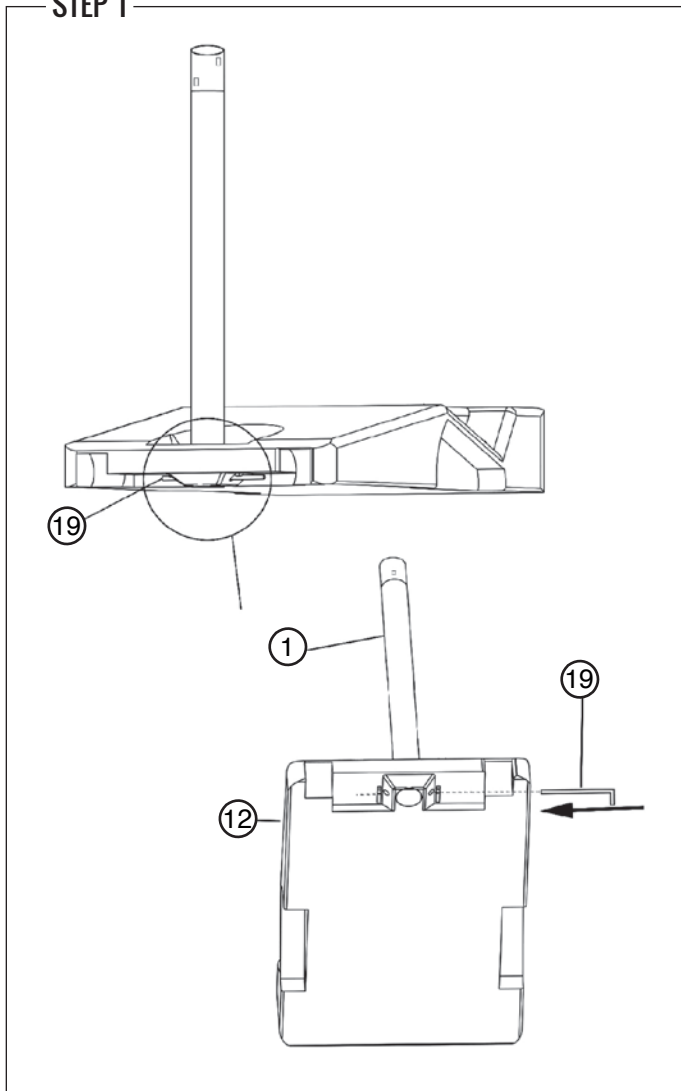
1 Bottom Pole QTY x1	2 Middle Pole QTY x1	3 Top Pole QTY x1	4 Bottom Pole Brace QTY x2	5 Lower Handle Bar QTY x1	6 Upper Handle Bar QTY x1
7 Short Backboard Connecting Tube QTY x2	8 Long Backboard Connecting Tube QTY x2	9 Backboard Rep. Part: 92004X-R1 QTY x1	10 Rim Rep. Part: 92004X-R2 QTY x1	11 Net Rep. Part: 92004X-R3 QTY x1	12 Base QTY x1
13 Backboard Connecting Plate Rep. Part: 92004X-R4 QTY x2	14 Bolt, Washer & Screw Set Rep. Part: 92004X-R4 QTY x1	15 Bolt, Washer & Screw Set Rep. Part: 92004X-R4 QTY x4	16 Bolt, Washer & Screw Set Rep. Part: 92004X-R4 QTY x2	17 Bolt, Washer & Screw Set Rep. Part: 92004X-R4 QTY x5	18 Bolt, Washer & Screw Set Rep. Part: 92004X-R4 QTY x2
19 Base Pole Axle Rep. Part: 92004X-R4 QTY x1	20 Middle Pole Mounting Plate Rep. Part: 92004X-R4 QTY x1	21 Wheel QTY x2	22 Wheel Axle Rep. Part: 92004X-R4 QTY x2	23 Tube Washer Short Size Rep. Part: 92004X-R4 QTY x2	24 Bolt, Washer & Screw Set Rep. Part: 92004X-R4 QTY x1
25 Bolt, Washer & Screw Set Rep. Part: 92004X-R4 QTY x4	26 Large Spring Rep. Part: 92004X-R4 QTY x2	27 Cup Washer QTY x4	28 Short Spring Rep. Part: 92004X-R4 QTY x2	29 Bolt, Washer & Screw Set Rep. Part: 92004X-R4 QTY x2	30 Pole Cover Rep. Part: 92004X-R4 QTY x1
32 Bolt, Washer & Screw Set Rep. Part: 92004X-R4 QTY x4	A 10* 13mm Wrench QTY x1	B 14* 17mm Wrench QTY x1	C 17* 19mm Wrench QTY x1	D M12 Wrench QTY x1	E M8 Wrench QTY x1
F M10 Wrench QTY x1					

ASSEMBLY INSTRUCTIONS

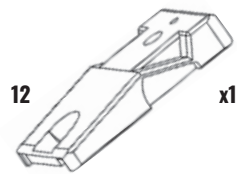
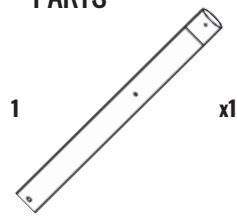
GENERAL NOTE

1. Remove all components from the shipping carton. Remove all protective wrap and layout all components on the ground.
2. Ensure you have all components shown in the parts list.

STEP 1



PARTS



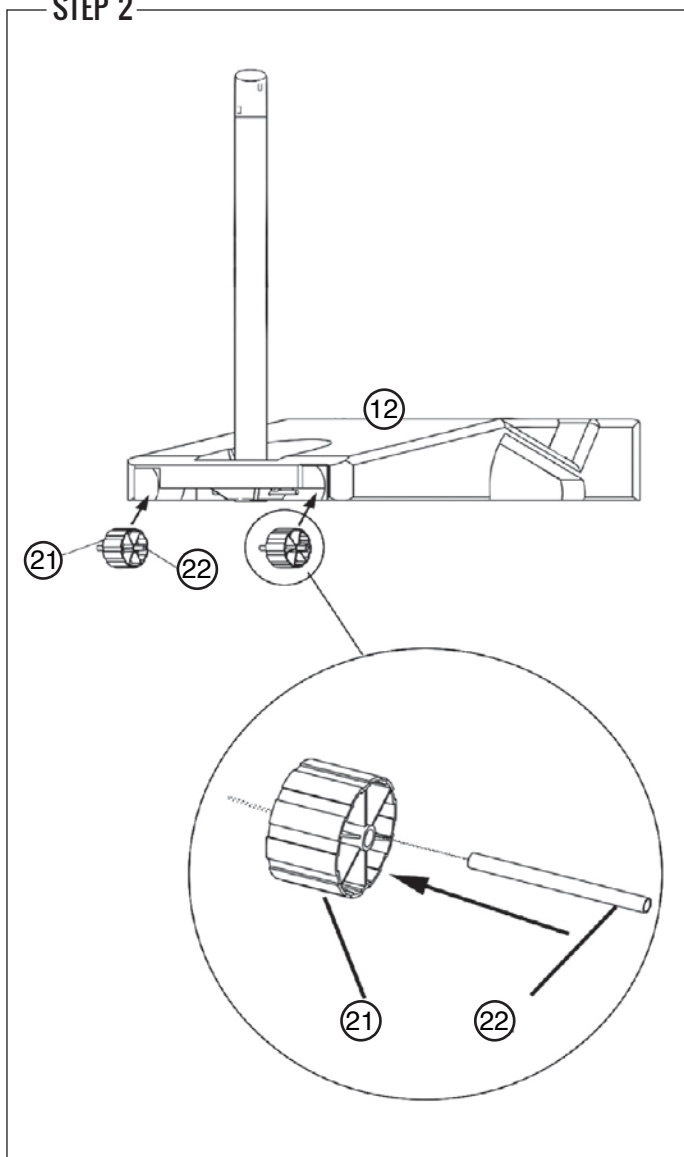
NOTE

Place base on side to easily slide **Base Pole Axle** (#19) through holes.

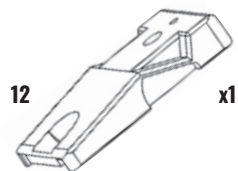
Place **Bottom Pole** (#1) into **Base** (#12). Make sure holes on bottom of pole line up with holes in the bottom of the base.

Then, insert **Base Pole Axle** (#19) through the holes in the bottom of both **Base** (#12) and **Bottom Pole** (#1). This will secure **Bottom Pole** (#1) to **Base** (#12).

STEP 2



PARTS



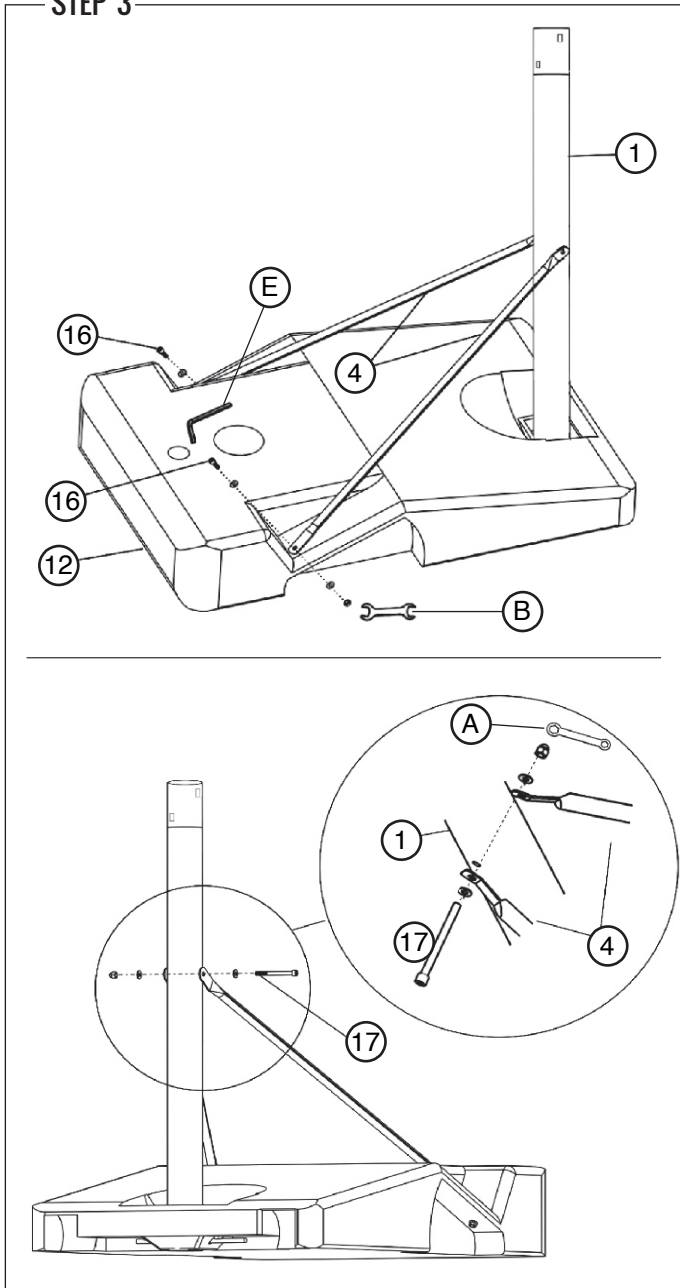
NOTE

Flip the base over to access the bottom.

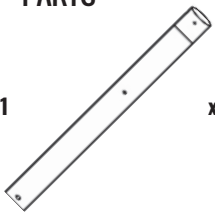

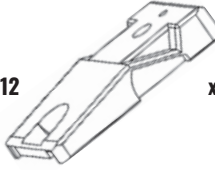


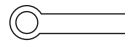


Insert **Wheel Axle** (#22) into **Wheel** (#21).
Insert Wheel Axle and Wheels into **Base** (#12).

Push with force to push wheel axle into position. These will click into place once they are secured.

STEP 3



PARTS

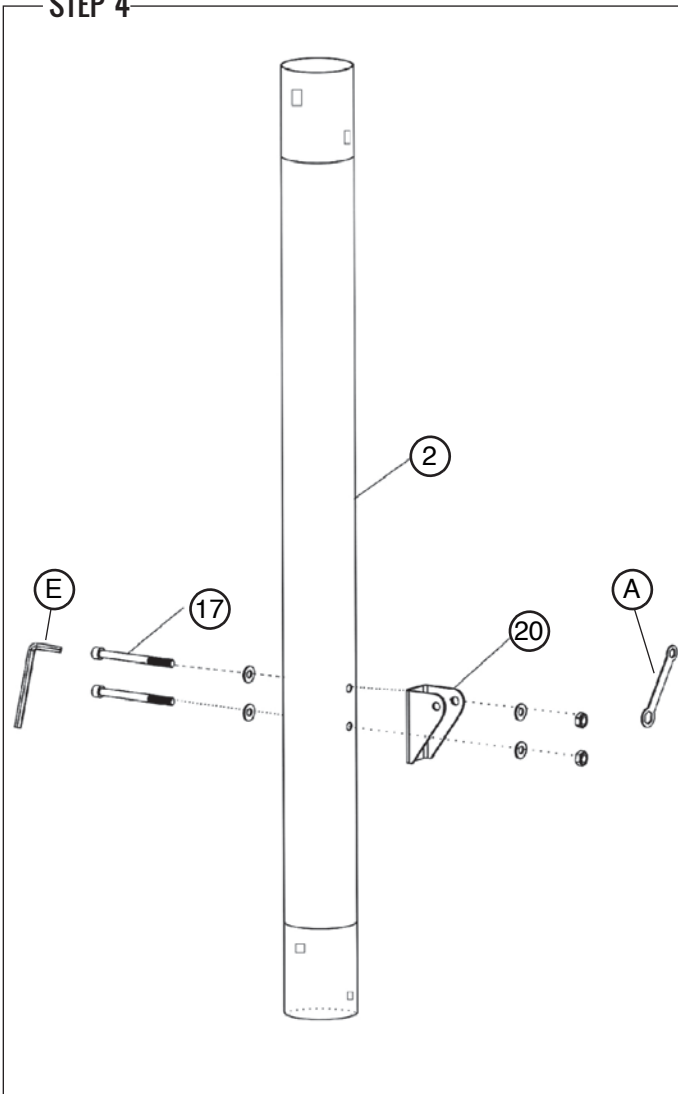
- 1  x1
- 4  x2
- 12  x1
- 16  x2
- 17  x1
- A  x1
- B  x1
- E  x1

NOTE

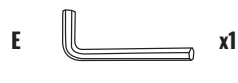
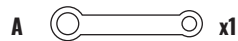
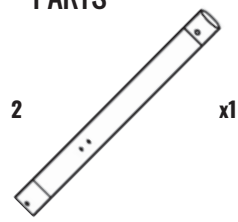
Bottom pole brace angled end connects to vertical pole, straight end connects to base.

Secure both **Bottom Pole Braces (#4)** to both **Base (#12)** & **Bottom Pole (#1)**. Be sure that both braces line up before you secure them. Attach **Bottom Pole Brace (#4)** to **Base (#12)** using **M8 25mm Bolt, Washer & Screw Set (#16)**. Then attach **Bottom Pole Brace (#4)** to **Bottom Pole (#1)** using **M8 90mm Bolt, Washer & Screw Set (#17)**.

STEP 4



PARTS

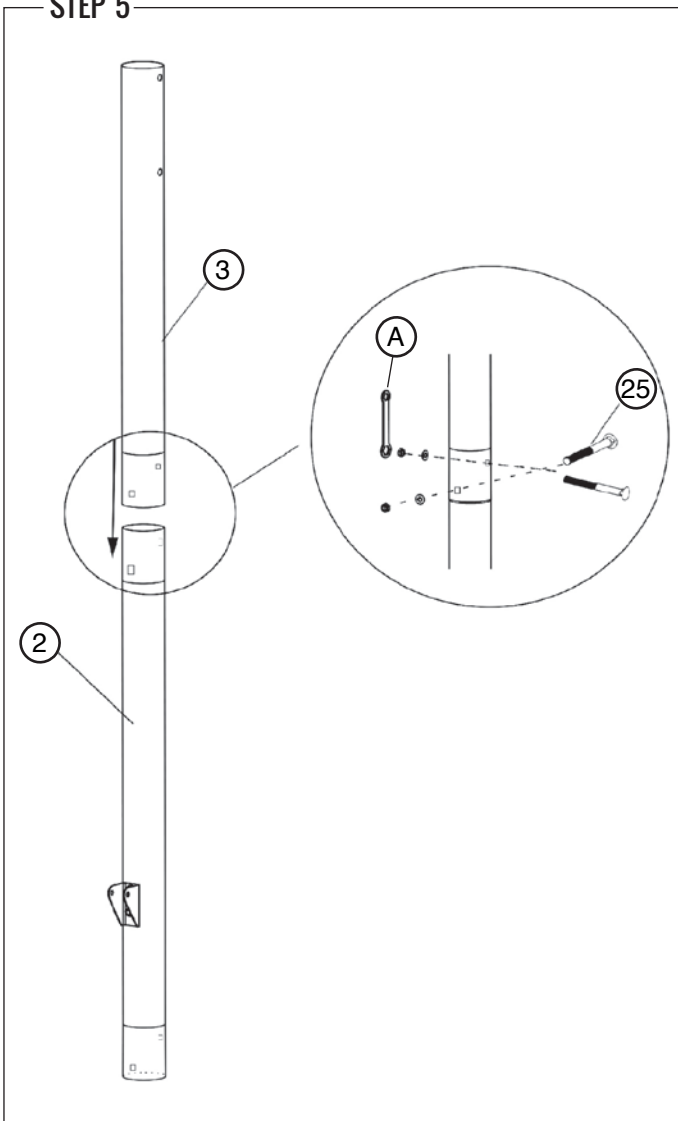


NOTE

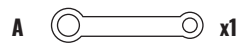
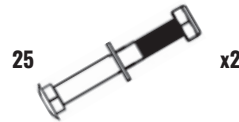
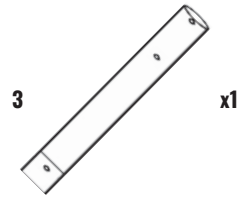
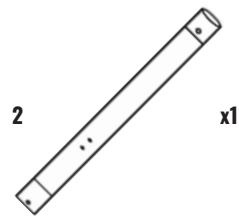
To attach **Middle Pole Mounting Plate (#20)** to **Middle Pole (#2)** use **M8 90mm Bolt, Washer & Screw Set (#17)**.

NOTE: Ensure middle pole mounting plate is attached to back.

STEP 5



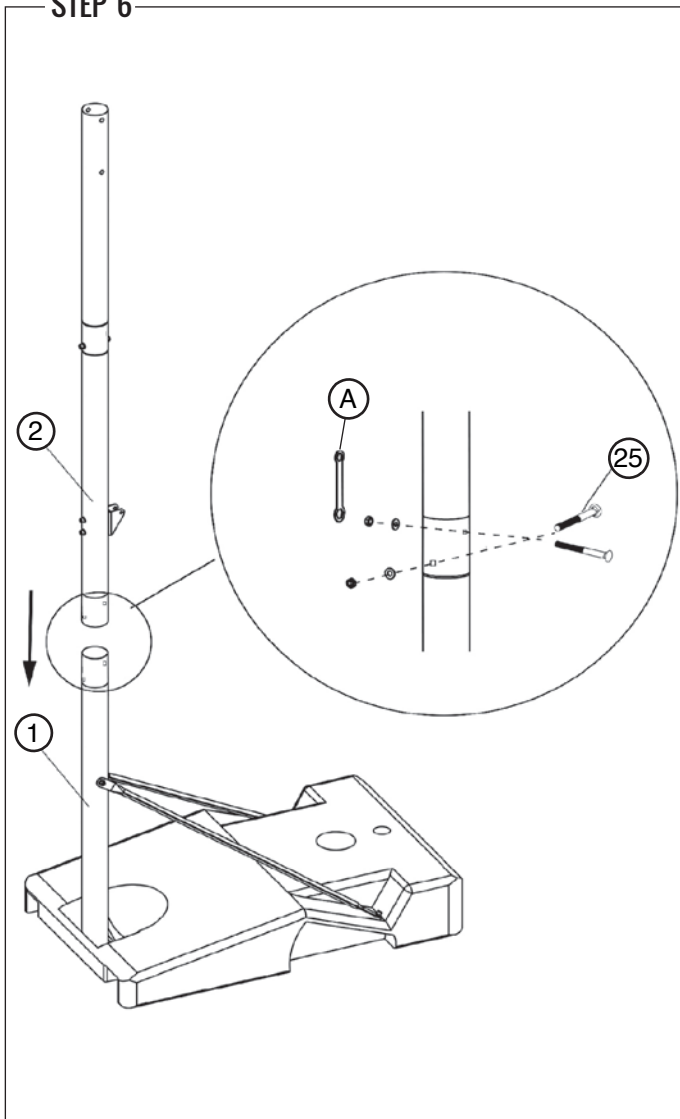
PARTS



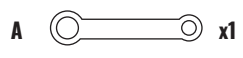
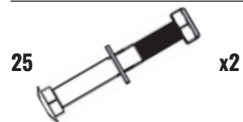
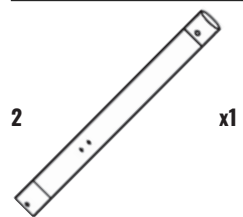
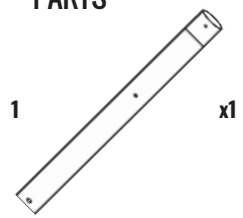
NOTE

To join **Top Pole (#3)** with **Middle Pole (#2)** use **M8 85mm Bolt, Washer & Screw Set (#25)**.

STEP 6



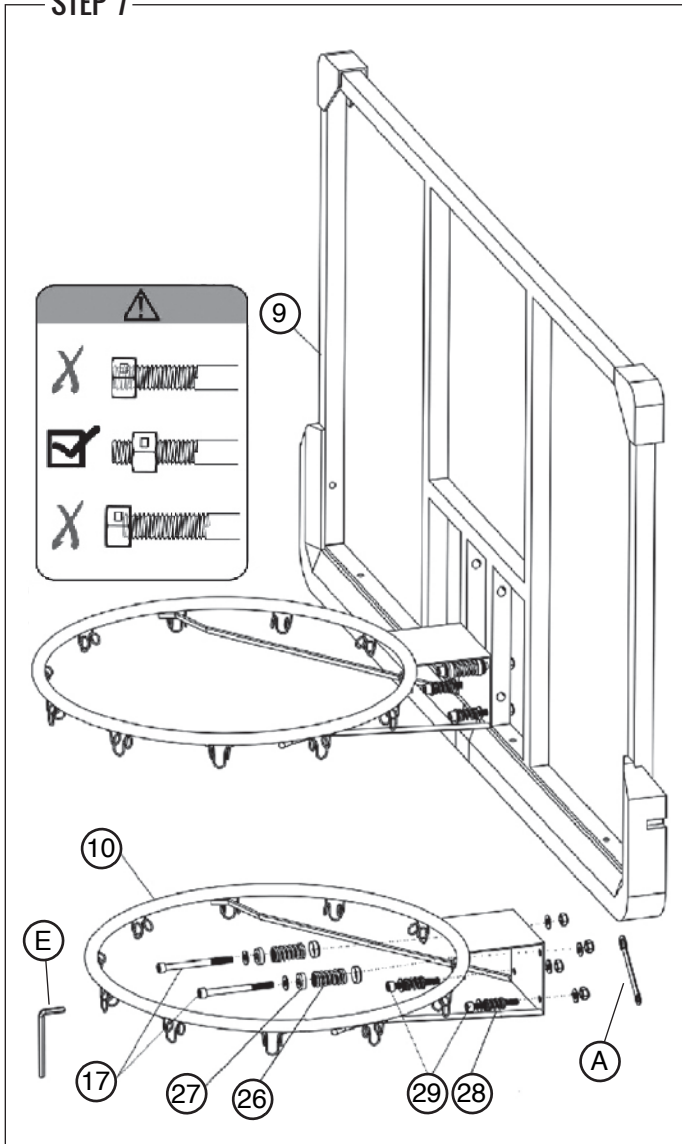
PARTS



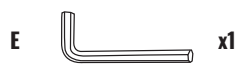
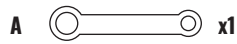
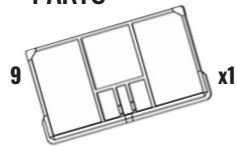
NOTE

To attach **Middle Pole (#2)** to **Bottom Pole (#1)** use **M8 85mm Bolt, Washer & Screw Set (#25)**.

STEP 7



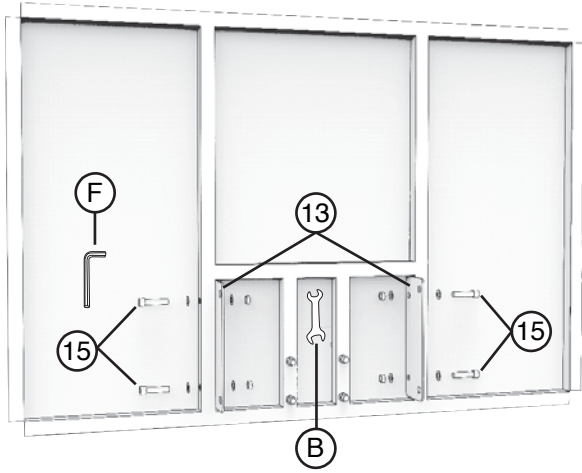
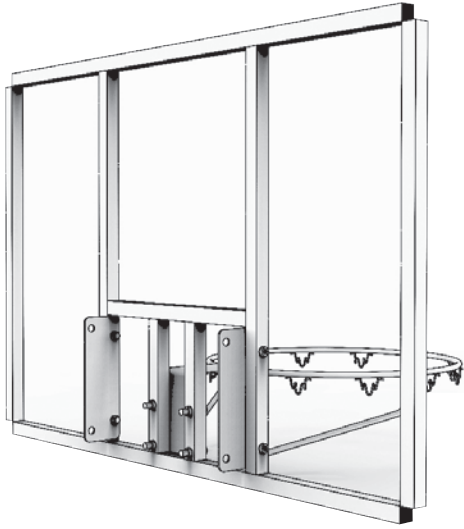
PARTS



NOTE

To attach Rim (#10) to Backboard (#9) use M8 90mm Bolt, Washer & Screw Set (#17), Cup Washer (#27), Large Spring (#26), M8 60mm Bolt, Washer & Screw Set (#29) & Short Spring (#28) as shown.

STEP 8



PARTS

13		x2
15		x4
B		x1
F		x1

NOTE

Attach **Backboard Connecting Plate (#13)** to backside of **Backboard (#19)** using **M10 40mm Bolt, Washer & Screw Set (#15)** as shown.

STEP 9



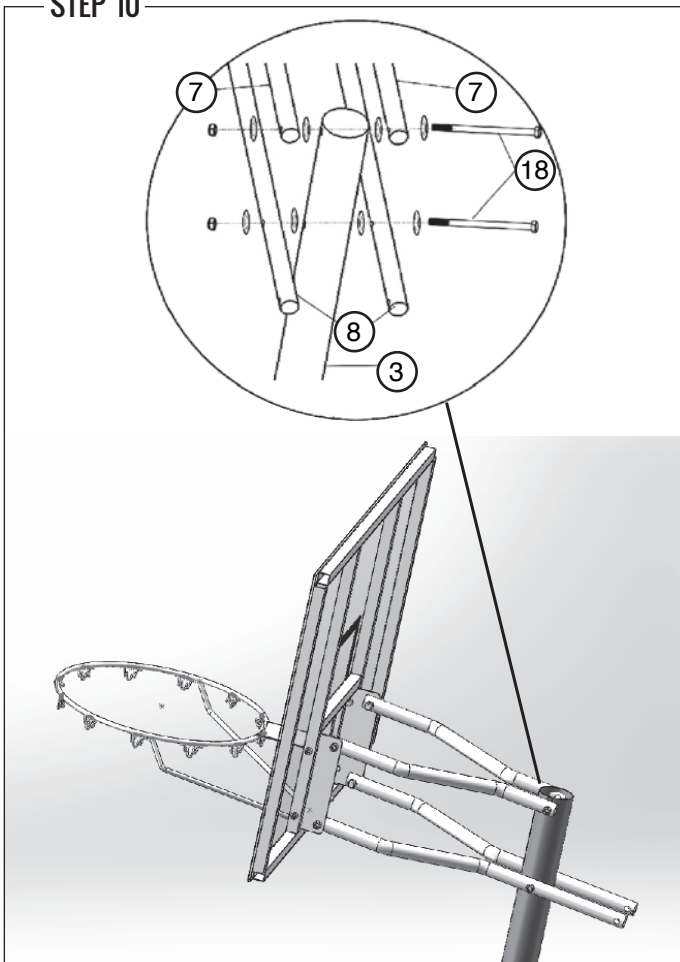
PARTS

7		x2
8		x2
13		x2
32		x4
C		x1
D		x1

NOTE

Attach **Short Backboard Pole (#7)** to the top of **Backboard Connecting Plate (#13)** using **M12 55mm Bolt, Washer & Screw Set (#32)**. Attach **Long Backboard Connecting Pole (#8)** to the bottom of **Backboard Connecting Plate (#13)** using **M12 55mm Bolt, Washer & Screw Set (#32)**.

STEP 10



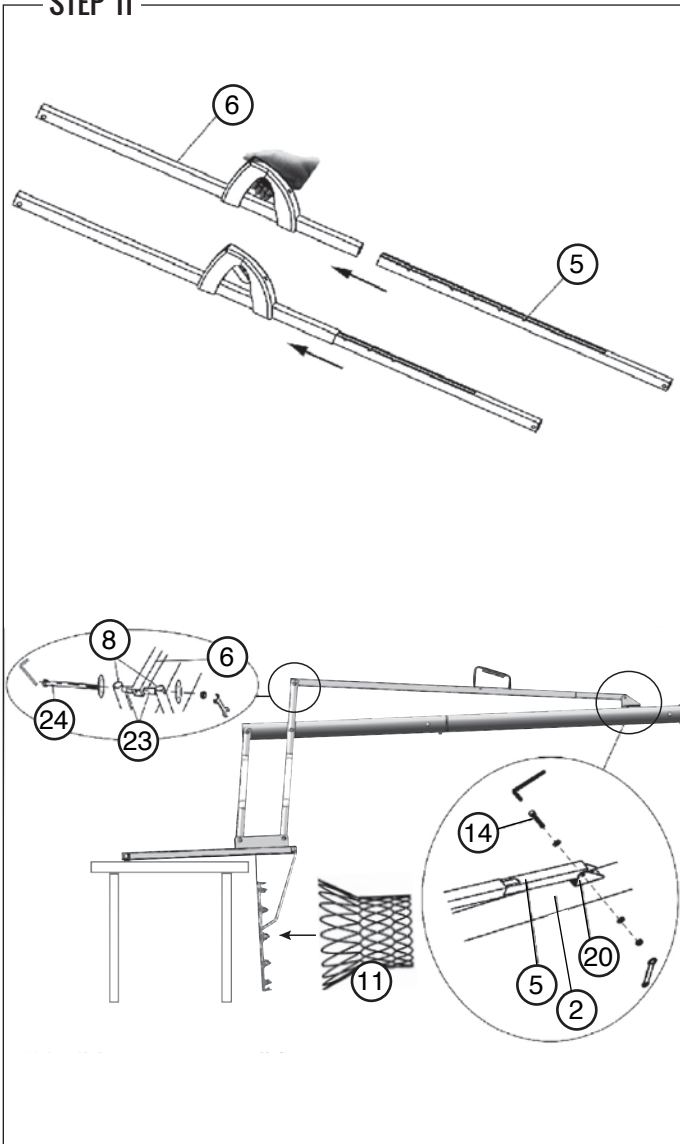
PARTS

3		x1
7		x2
8		x2
18		x2
C		x1
D		x1

NOTE

Attach both **Short Backboard Connecting Tube (#7)** & **Long Backboard Connecting Tube (#8)** to **Top Pole (#3)** using **M12 160mm Bolt, Washer & Screw Set (#18)**.

STEP 11



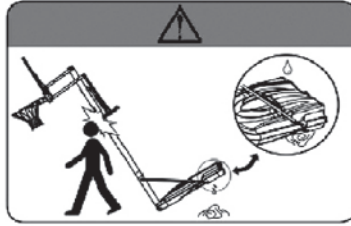
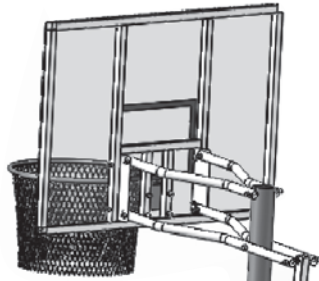
PARTS

2		x1
5		x1
6		x1
8		x2
11		x1
14		x1
20		x1
23		x2
24		x1
A		x1
C		x1
D		x1
E		x1

NOTE

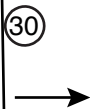
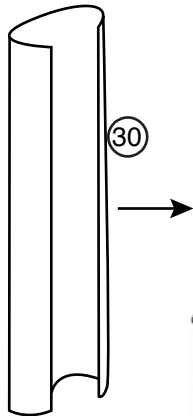
Insert **Lower Handle Bar (#5)** into **Upper Handle Bar (#6)**. Connect **Middle Pole (#2)** to **Middle Pole Mounting Plate (#20)** using **M8 45mm Bolt, Washer & Screw Set (#14)**. Attach **Upper Handle Bar (#6)** to **Long Backboard Connecting Tube (#8)** using **Tube Washer Short Size (#23)** between **Upper Handle Bar (#6)** and **Long Backboard Connecting Tube (#8)**. Secure these parts together with **M12 160mm Bolt, Washer & Screw Set (#24)** as shown.

STEP 12

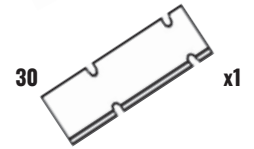
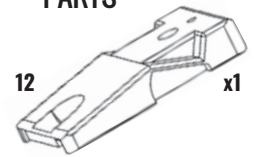


WARNING

When the base is filled with sand, player must check the leakage of the base, to prevent the base instability, leading to injury.



PARTS



WARNING

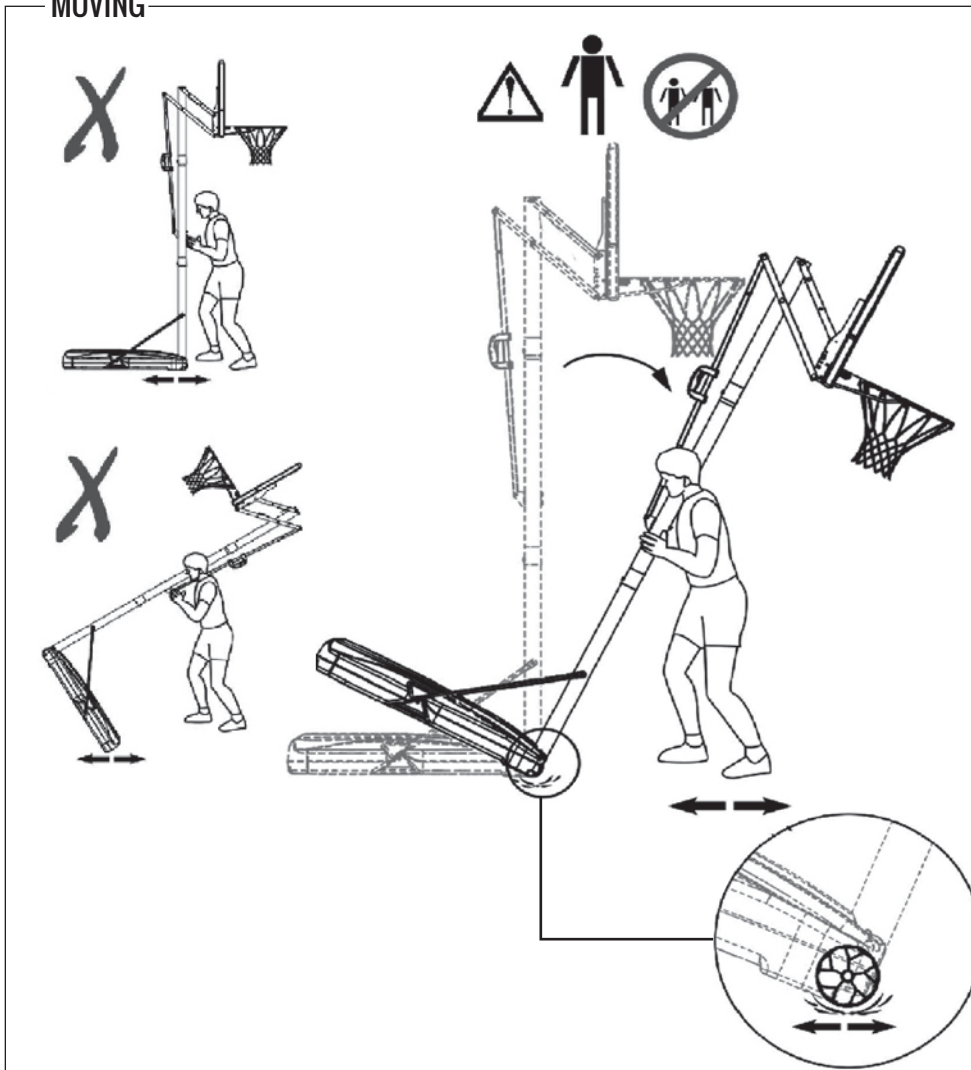
Check over unit to make sure all hardware is tight adequately.

Ensure the base is fully filled with 337 lbs (153 kg) of Sand.

When the base is filled with sand, player must check the leakage of the base to prevent the base instability, leading to injury.

Wrap pole cover #30.

MOVING



WARNING

Moving of the basketball system must be carried out by adults.

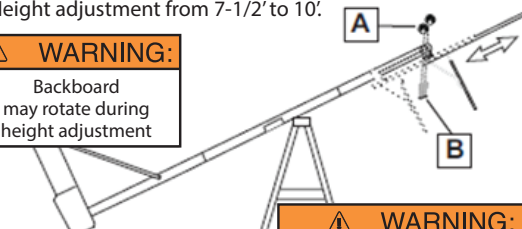
Be sure to follow the correct way of moving, avoid the following two incorrect ways.

HEIGHT ADJUSTMENT

Rest unit on support table. Remove adjustment knobs (A) and carriage bolts (B) to extend or retract backboard and rim. Height adjustment from 7-1/2' to 10'.

⚠ WARNING:

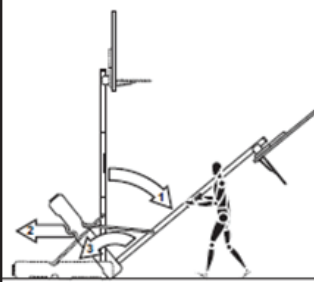
Backboard may rotate during height adjustment



⚠ WARNING:

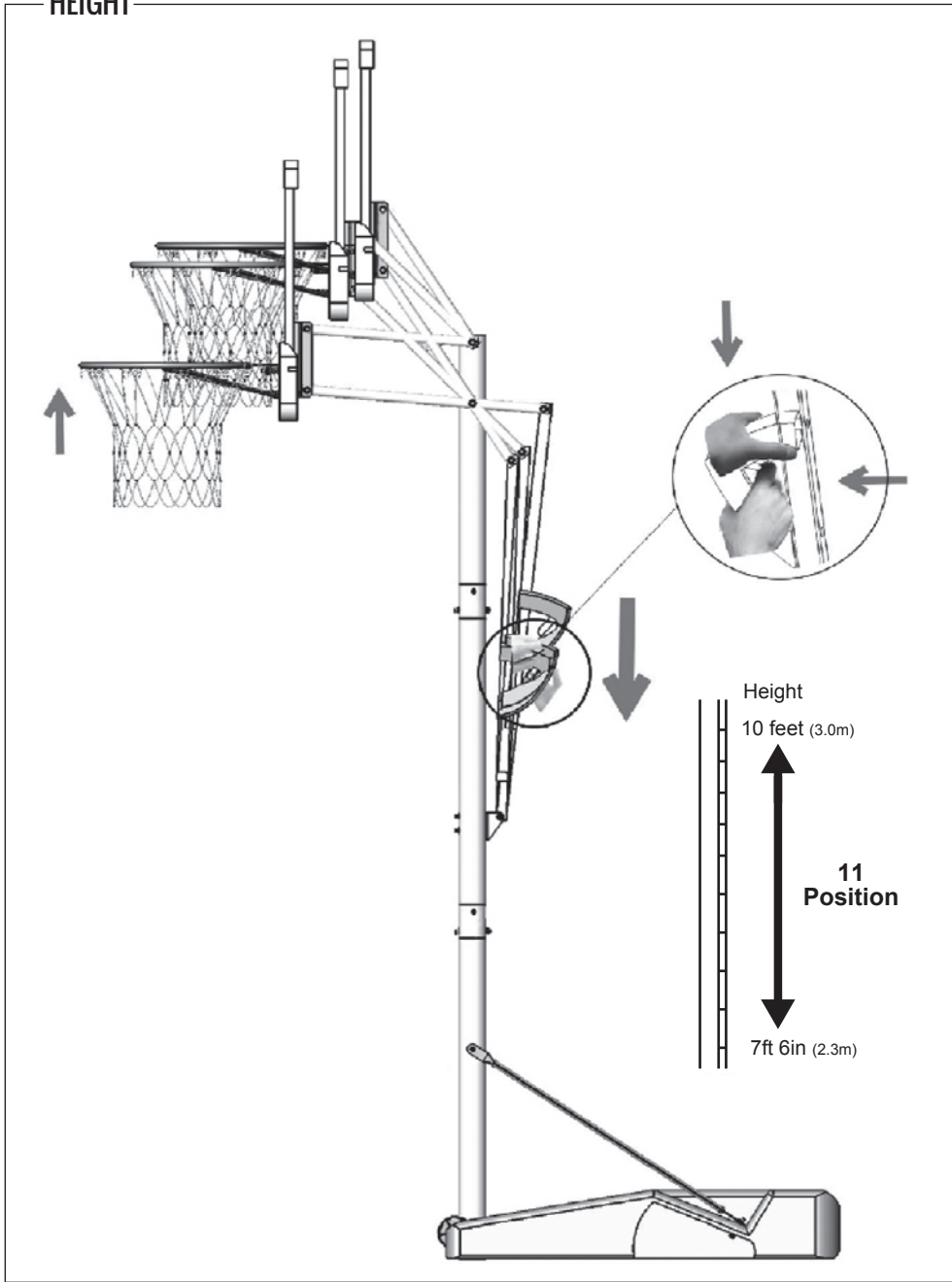
Do not adjust height of system in upright position. System must be in down position to adjust.

MOVING SYSTEM



1. While holding pole, rotate basketball system forward until wheels engage with ground.
2. Move basketball system to desired location.
3. Carefully rotate basketball system upright.
4. Check system for stability

HEIGHT



NOTE

Adjust height as shown to players desired height.



WARNING



FAILURE TO FOLLOW THESE WARNINGS MAY RESULT IN SERIOUS INJURY AND/OR PROPERTY DAMAGE.

Owner must ensure that all players know and follow these rules for operation of the system.

- Only hang from the rim briefly to regain balance or avoid injuring others. Release the rim as safely as possible.
- During play, especially when performing dunk type activities, keep players face away from the backboard, rim and net. Serious injuries could occur if teeth/face come in contact with backboard, rim, or net.
- Do not slide, climb, or play on base or pole.
- Completely fill base according to manufacturers instructions or the system will tip quickly causing serious personal injury.
- When adjusting height or moving system, keep hands and fingers away from moving parts.
- Do not allow children to move or adjust system.
- During play, do not wear jewelry (rings, watches, necklaces, etc.) Objects may entangle in net.
- Surface beneath the base must be smooth and free of gravel or other objects. Punctures can cause leakage and could cause system to tip over.
- Keep water and organic materials away from pole. Pole can rust and fall.
- Once a month check pole and all metal parts for rust. Completely remove rust and repaint with exterior enamel. If rust has penetrated any steel part, replace that part immediately.
- Check system before each use for proper ballast, loose hardware, instability, and signs of corrosion and repair before each use. Never play on damaged equipment.
- Do not use system during windy or severe weather. System may tip over. Place system in an area protected from the wind or in an area away from property that may be damaged if the system falls.

FRANKLIN SPORTS

1-800-225-8649



WARNING:

Failure to observe this warning may cause property damage and/or serious injury.

This product is NOT designed to support a player hanging from any component of this basketball system.

Rim height adjustments should be made by ADULTS ONLY.

Wear a mouth guard when playing to avoid dental injuries.

During play, do not wear jewelry (rings, watches, necklaces, etc.).

Objects may entangle in net.



WARNING:

**SWINGING ON THIS RIM
MAY CAUSE SERIOUS INJURY
OR DEATH.**



WARNING:

**DO NOT LEAVE UNIT IN VERTICAL
POSITION IF THE BASE IS NOT
PROPERLY FILLED WITH SAND.**

YOU ARE NOW READY TO PLAY!

Franklin[®]

For replacement parts:
Visit: www.franklinsports.com/92004X
Email: parts@franklinsports.com
Call: 1-800-225-8649