

## GAME INSTRUCTIONS

### Rules:

Pro Hoop Basketball by Franklin is designed to be played in inside and is a fun twist on some of our other basketball games. Players are trying to reach a score of 21. Players choose who will be shooting first. The player first up to shoot will choose the location their first shot will be thrown from. This location will be the same location used by all the other players and their first shot. When a player scores a point, they will choose the next location to shoot from and they will be the first ones to shoot.

### Scoring:

Each time the ball is landed in the net, it is a potential one point. Players are able to snag points from one-another. For example, if there are three players (A,B,C) and player A chooses the shot location, shoots the ball and the ball goes through the net they have scored one point. However, the following two players (B,C) have a chance to snag player A's point. To do this, player B will shoot the ball from the same location that A did. If player B gets the ball through the net, then player B will snag player A's point. When this happens, player C now has the chance to steal player B's point. If both players B and C miss when trying to steal player A's point, player A will score 1 point. In the case that no players score points the person that shot first may choose another location to shoot the next round from. Players will play until one of the players reach 21.

# YOU ARE NOW READY TO PLAY!

Made In China  
Franklin Sports Inc.  
Stoughton, MA 02072



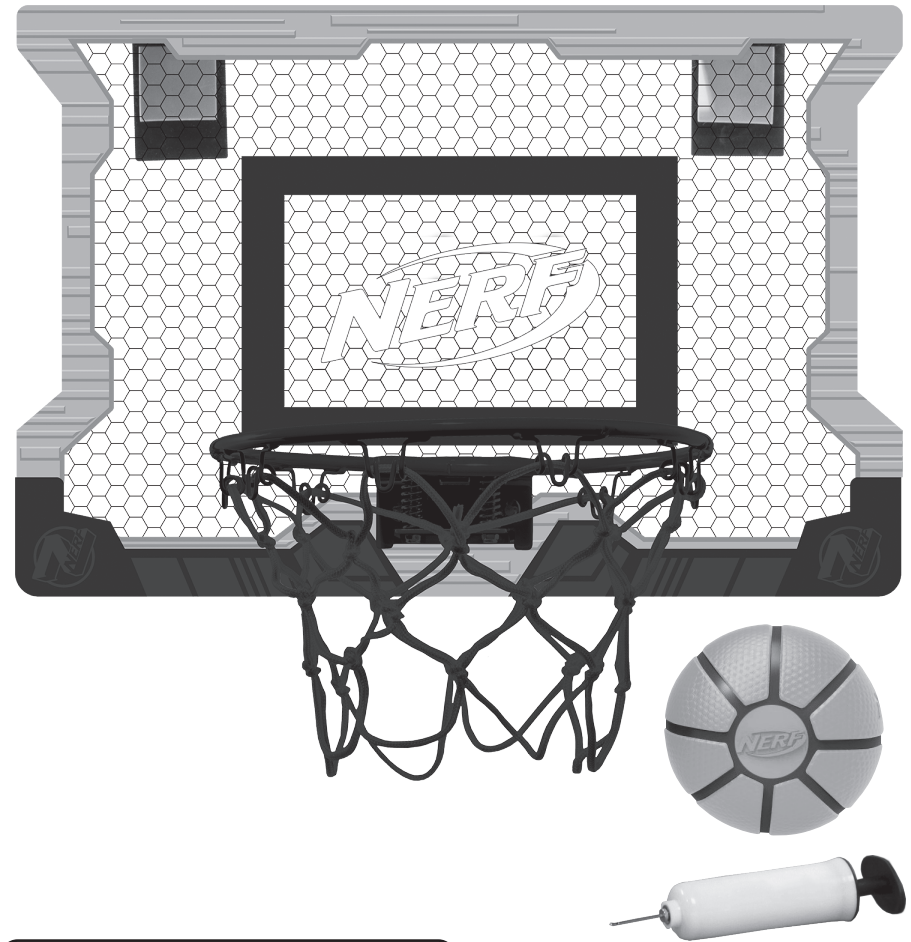
For replacement parts:  
Visit: [franklinsports.com/instructions](http://franklinsports.com/instructions)  
Email: [parts@franklinsports.com](mailto:parts@franklinsports.com)  
Call: 1-800-225-8649

Ages 6+



## PRO HOOP BASKETBALL

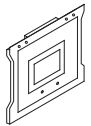

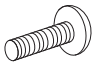

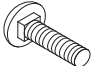
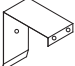




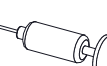



ITEM NUMBER: **92095X**



**WARNING:**  
CHOKING HAZARD--Small parts.  
Not for children under 3 yrs.

NOTE: PRINT FRONT TO BACK

# PARTS LIST

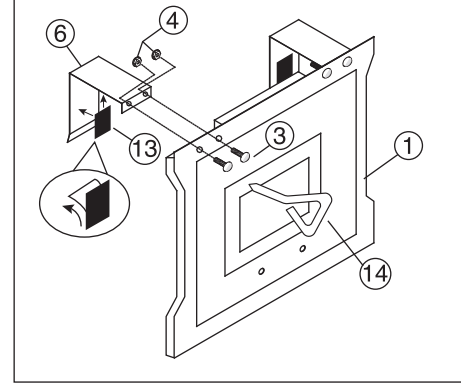
1  Main Board QTY x1	2  Metal Support QTY x1	3  M4 Metal Bolt QTY x4	4  M4 Metal Nut QTY x4
5  3/8in (1cm) Bolt QTY x2	6  Hook QTY x2	7  Rim QTY x1	8  Net QTY x1
9  1/4in (0.6cm) Nut QTY x2	10  Basketball QTY x1	11  Inflation Pump with Needle QTY x1	12  Wrench QTY x1
13  Protective Foam QTY x4	14  Screwdriver QTY x1		

# ASSEMBLY INSTRUCTIONS

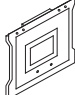




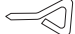
## GENERAL NOTE

1. Find a clean place to begin the assembly of your Pro Hoop Basketball Game.
2. Remove all the parts from the box and verify that you have all of the listed parts as shown on the parts list page.

## STEP 1



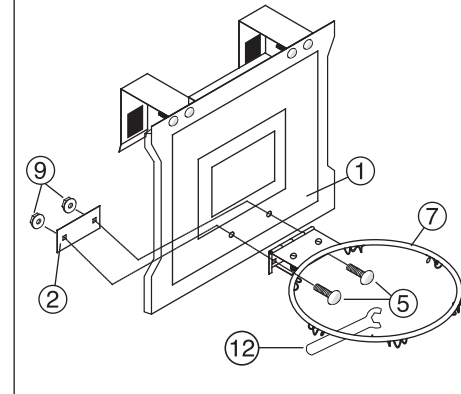
## PARTS

1		x1
3		x4
4		x4
6		x2
13		x4
14		x1

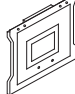





## NOTE

Attach the Hooks (#6) to Main Board (#1). Using four M4 Metal Bolts (#3), four M4 Metal Nuts (#4), and Screwdriver (#14).

## STEP 2



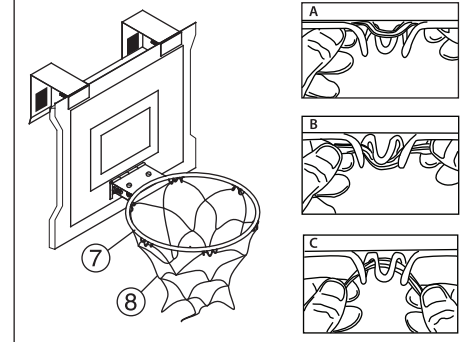
## PARTS

1		x1
2		x1
5		x2
7		x1
9		x2
12		x1



## NOTE

Attach the Rim (#7) to the Main Board (#1). Using two Bolts (#5), one Metal Support (#2), two Metal Nuts (#9) and Wrench (#12).

## STEP 3



## PARTS

7		x1
8		x1

## NOTE

Install the Net (#8) to the Rim (#7).